

SPECIFICATIONS

Receiver unit (A-911/L)

Amplifier section

Rated power output

35 watts per channel minimum RMS, both channels driven, at 6 Ω from 40 Hz to 20,000 Hz with no more than 0.09% total harmonic distortion (FTC)

(IEC/NF) From 63 Hz to 12,500 Hz, 0.7% T.H.D.	40 W + 40 W
at 8 Ω	37 W + 37 W
(DIN) 1 kHz, at 6 Ω	43 W + 43 W
1 kHz, at 8 Ω	38 W + 38 W
(IHF'66) From 40 Hz to 20 kHz, 0.09% T.H.D.	39 W + 39 W
at 6 Ω	39 W + 39 W
(EIAJ) Maximum useful power output	50 W + 50 W
at 6 Ω	0.09% at rated power
Total harmonic distortion	0.04% at 1 kHz, 1/2 rated power
Frequency response	40 Hz - 70 kHz, +1.5 dB, -1.5 dB
MAIN IN	
Signal to noise ratio (IHF'66)	100 dB
MAIN IN	
Input sensitivity/Impedance	150 mV/47 k Ω
MAIN IN	
N.B.circuit (-30 dB VOLUME level)	+22 dB (at 60 Hz)
Output level/Impedance	
SUB WOOFER OUT	1.0 V/3.6 k Ω
Power consumption	200 W (IEC)
	1.5 A (for U.S.A. and Canada)
Dimensions	W: 270 mm (10-5/8")
	H: 120 mm (4-3/4")
	D: 292 mm (11-1/2")
Weight (Net)	5.4 kg (11.88 lb)

A-911L FM tuner section

Tuning frequency range	87.5 MHz - 108 MHz
Usable sensitivity (DIN at 75 Ω)	0.8 μ V
MONO	
Total harmonic distortion (DIN at 1 kHz)	0.2% (65.2 dBf input)
MONO	0.3% (65.2 dBf input)
STEREO	
Signal to noise ratio (DIN weighted at 1 kHz)	68 dB (65.2 dBf input)
MONO	63 dB (65.2 dBf input)
STEREO	
Stereo separation (DIN)	40 dB
1 kHz	
Frequency response	30 Hz - 15 kHz, +0.5 dB, -3.5 dB

Note:

KENWOOD follows a policy of continuous advancements in development. For this reason specifications may be changed without notice.

KENWOOD follows a policy of continuous advancements in development. For this reason specifications may be changed without notice.

KENWOOD poursuit une politique de progrès constants en ce qui concerne le développement. Pour cette raison, les spécifications sont sujettes à modifications sans préavis.

KENWOOD strebt ständige Verbesserungen in der Entwicklung an. Daher bleiben Änderungen der technischen Daten jederzeit vorbehalten.

KENWOOD CORPORATION

Shinogi Shubuya Building, 17-5, 2-chome Shibuya, Shibuya-ku, Tokyo 150, Japan

KENWOOD U.S.A. CORPORATION

2201 East Dominguez Street, Long Beach, CA 90810
550 Clark Drive, Mount Olive, NJ 07828 U.S.A.

KENWOOD ELECTRONICS CANADA INC.

P.O. BOX 1075, 959 Gana Court, Mississauga, Ontario, Canada L4T 4C2

TRIO-KENWOOD U.K. LTD.

KENWOOD House, Dwight Road, Watford, Herts, Wd17 7JF, United Kingdom

KENWOOD ELECTRONICS BENELUX N.V.

Mechelsesteenweg 418 B-1930 Zaventem, Belgium

KENWOOD ELECTRONICS DEUTSCHLAND GMBH

Rembrucker Str. 15, 6056 Heusenstamm, Germany

TRIO-KENWOOD FRANCE S.A.

13 Boulevard Ney, 75018 Paris, France

KENWOOD LINEAR S.p.A.

20125 MILANO VIA ARBE, 50, ITALY

KENWOOD ELECTRONICS AUSTRALIA PTY, LTD.

P.O. BOX 504, 8 Figtree Drive, Australia Centre, Homebush N.S.W. 2140, Australia

KENWOOD & LEE ELECTRONICS, LTD.

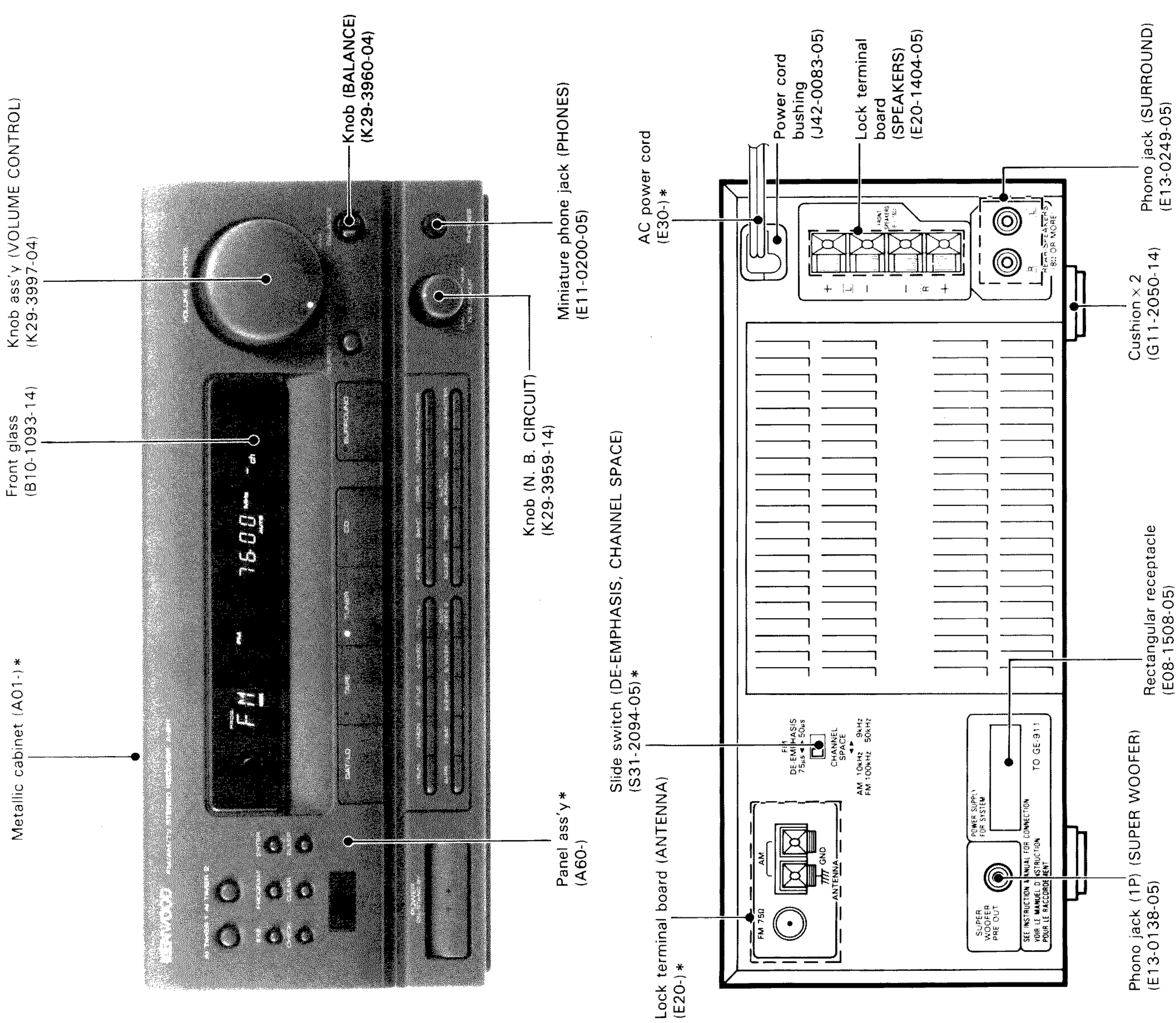
Wang Kee Building, 4th Floor, 34-37, Connaught Road, Central, Hong Kong

A-911/911L

SERVICE MANUAL

(COMPACT HI-FI SYSTEM UD-9)
(UD COMPONENT SYSTEM)

©1991-1 PRINTED IN JAPAN
B51-4269-00(T) 1103



[A-911 : Y, M, X type
A-911L : T, E type]

*Refer to parts list on page 44.
Photo is A-911.

Refer to the NOTES REGARDING SERVICES OF THIS UNIT AND FEATURES OF SYSTEM on page 2 before repair.

CONTENTS

NOTES REGARDING SERVICES OF THIS UNIT AND FEATURES OF SYSTEM	2
PACKING	3
SYSTEM CONNECTIONS	3
CONTROLS AND INDICATORS	4
OPERATION OF REMOTE CONTROL UNIT	5
DISASSEMBLY FOR REPAIR	6
BLOCK DIAGRAM	7
CIRCUIT DESCRIPTION	10
ADJUSTMENT	25
PC BOARD (Component side view)	29
SCHEMATIC DIAGRAM	33
EXPLODED VIEW	42
PARTS LIST	44
SPECIFICATIONS	Back cover

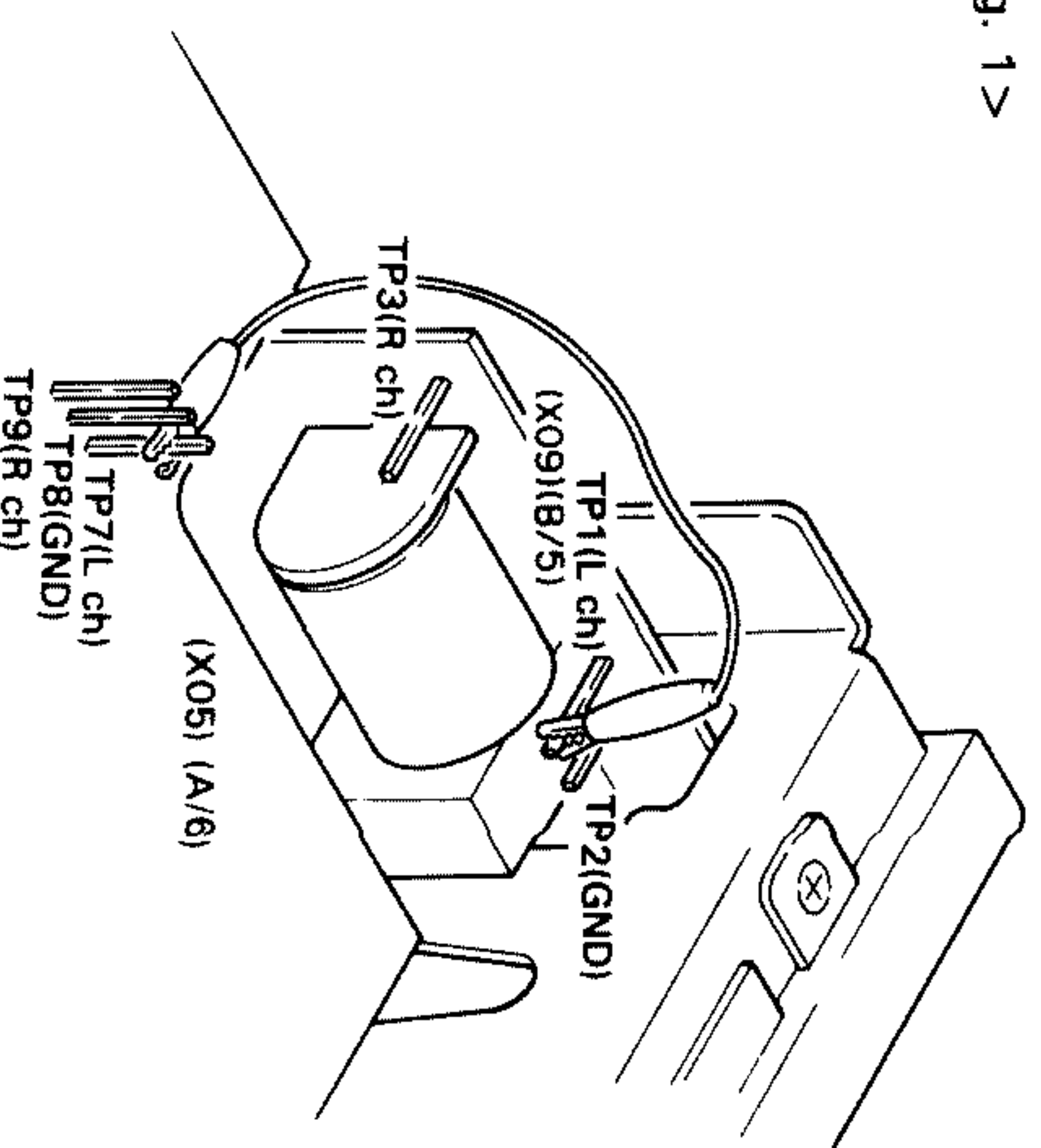
NOTES REGARDING SERVICES OF THIS UNIT AND FEATURES OF SYSTEM

1. Be sure to refer to the instruction manual of UD-9 of this system for the operation.
2. This unit is the receiver that is mounted with tuner and amplifier. However, as INPUT SELECTOR IC is incorporated into the graphic equalizer (GE-911), signal system goes through the graphic equalizer. Therefore, radio waves cannot be received with this unit alone.
When you listen to radio waves with this unit alone, connection must be made by the following method:
 - a) Facilitated connection method, b) Regular connection method, or c) Using jig.
 (Instead of tuner output, AG output can also be connected to X09 side)

a) Facilitated connection method (It can be connected at once after case is opened)

Connect the output pin TP7(Lch) and TP9(Rch) of the tuner board (X05, A/6) with the test pin TP1(Lch) and TP3(Rch) of main board (X09) (B/5). <Fig. 1> (Output decreases partly because of the relation with Input Impedance)

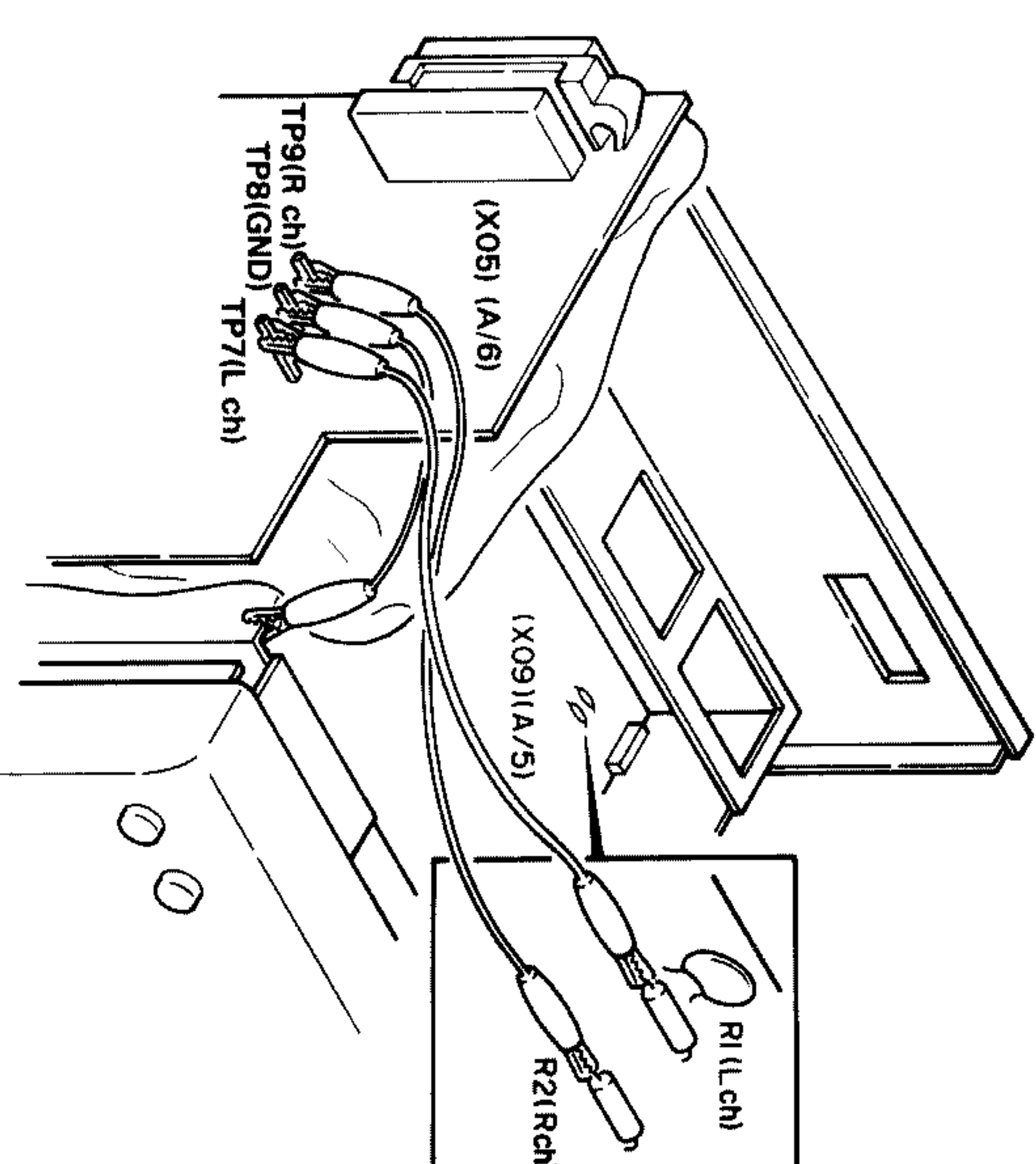
<Fig. 1>



b) Regular connection method (Refer to disassembling method for repair)

Connect the output pin TP7(Lch) and TP9(Rch) of the tuner board (X05, A/6) which stands against the rear wall with lead wire (for input) of R1(Lch) and R2(Rch) of main board (X09) (A/5) which is installed below the tuner board. With this operation, action of the surround circuit which cannot be checked with procedures of a) for output can be checked.
<Fig. 2> (Be sure to connect the GND of tuner board (X05, A/6) for activating the microprocessor normally with GND of chassis this time)

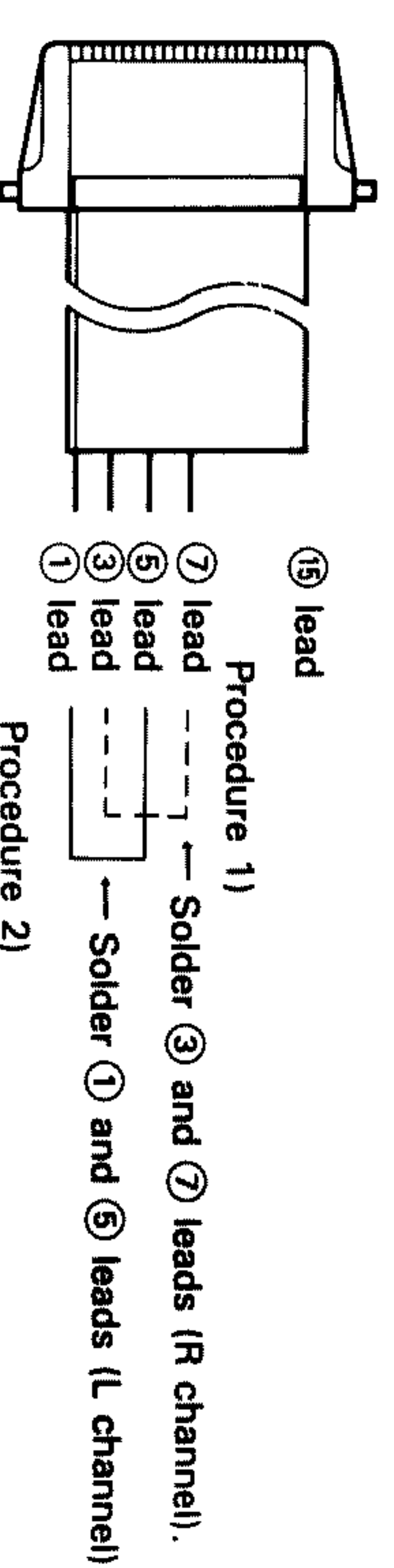
<Fig. 2>



c) Using jig

Solder the leads of 15-pin connector (red) cable (Parts No. E30-2624-05) <Fig. 3> and connect it as a short-plug to the 15-pin terminal at the rear.

<Fig. 3>



3. The radiator cover is attached to this unit. Use it to check power transistors and so on by removing it. In addition, the main board can be checked by removing the bottom board after detaching the case from the unit. (For further detail, refer to the disassembly method for repair)

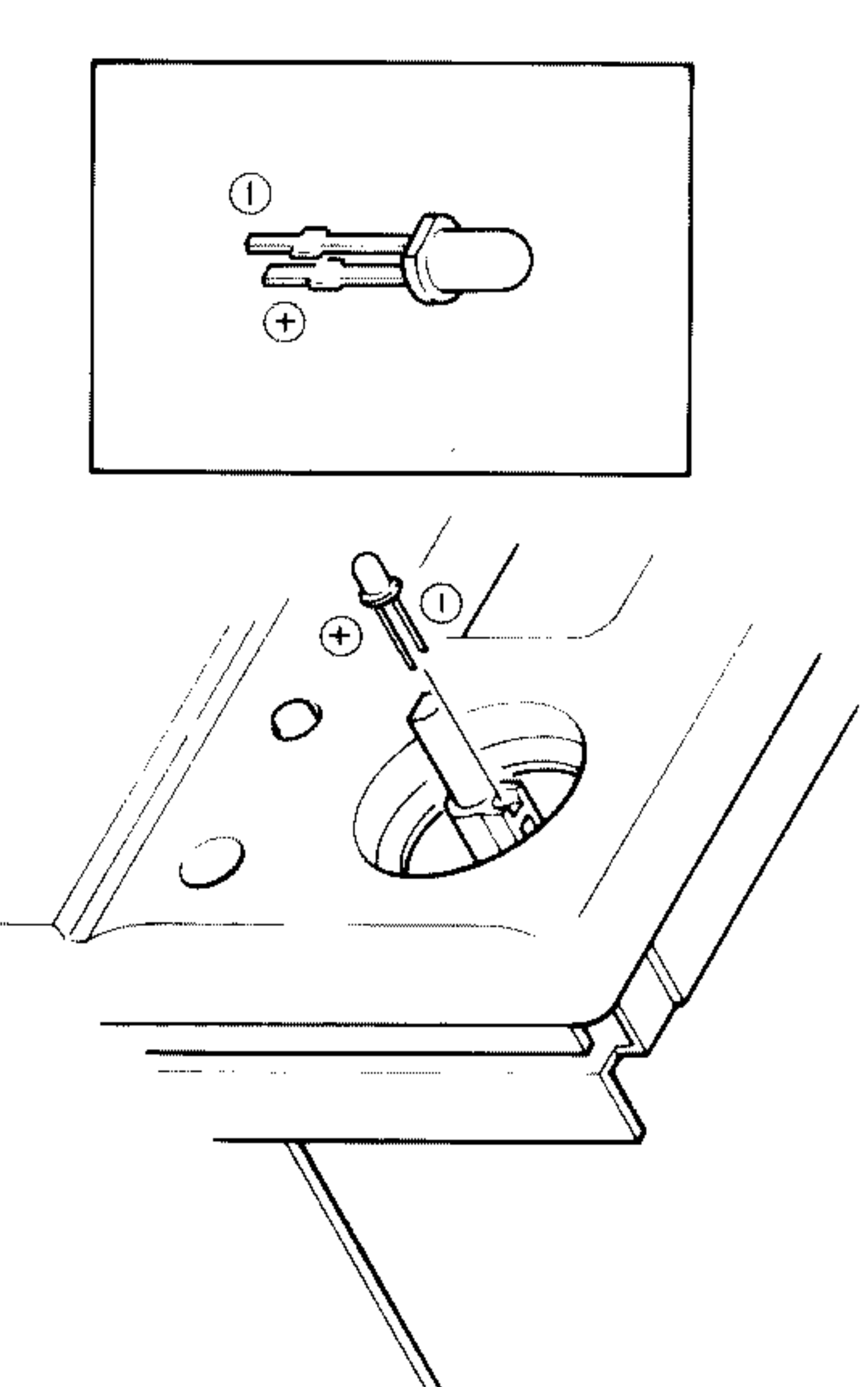
4. As a new function, one pattern of graphic equalizer has become able to be selected and stored into memory at each INPUT SELECTOR. The memory can be conducted by GE microprocessor. The REC level set by CRLS at each INPUT SELECTOR (excluding TAPE) can also be stored into memory. The memory can be conducted by DECK microprocessor.

NOTES REGARDING SERVICES OF THIS UNIT AND FEATURES OF SYSTEM

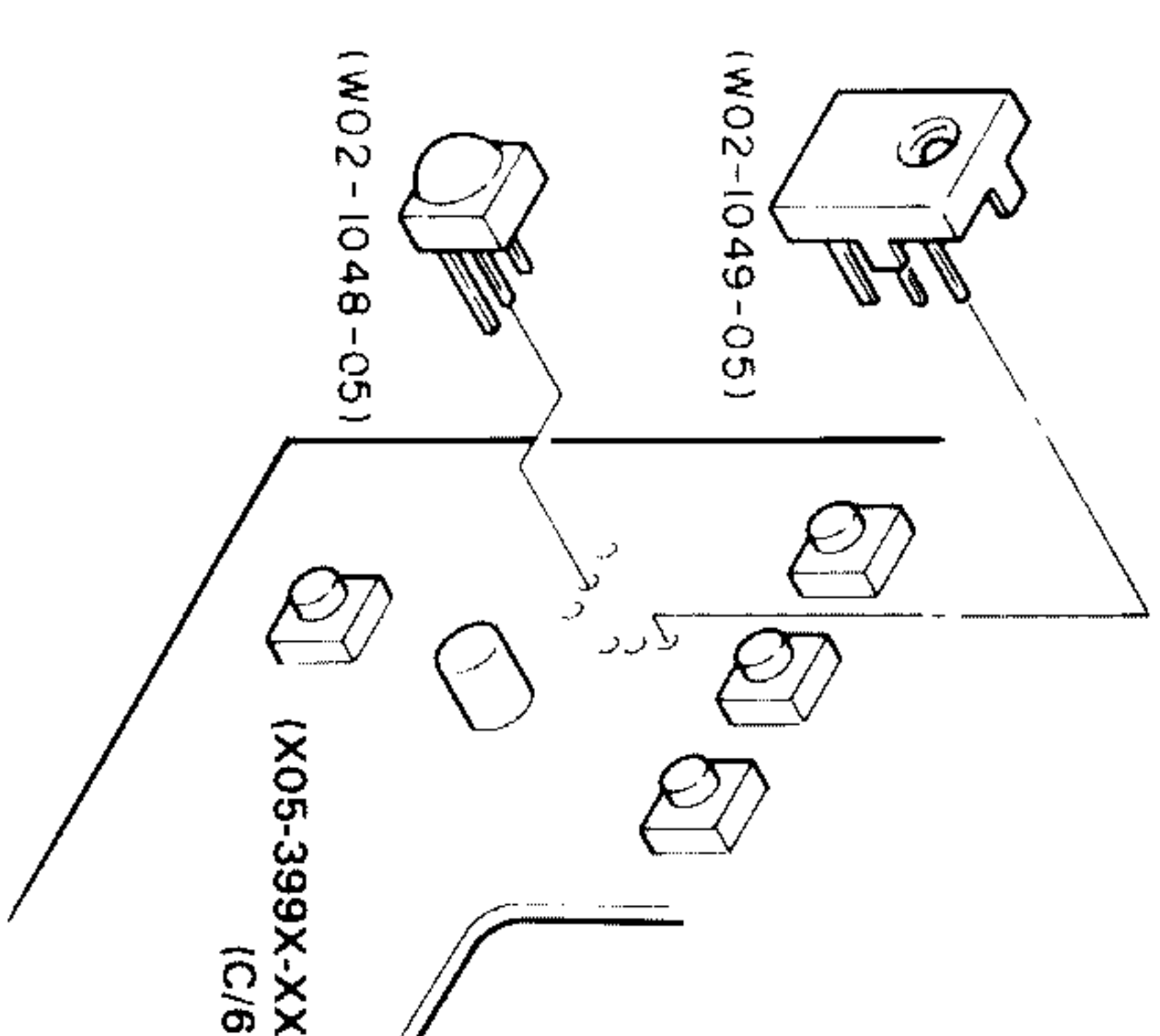
5.
 - AI TIMER1, timer for wake-up, increases its volume every 30 seconds at three stages. Although its main microprocessor is the GE microprocessor, it functions in connection with the tuner and amplifier of unit. (This time, AI LOUDNESS of GE is not subject to operation)
 - AI TIMER2, timer for wake-up, plays back the first and second track of CD, then receives the radio broadcast-ing automatically.
6. The A1, sensor for remote-control light receptor, of X05 uses W02-1049-05 or W02-1048-05. They can be installed on printed board even though their shapes and the location of terminals are different from each other.

7. LED for VOLUME (Part number: B30-1284-08)

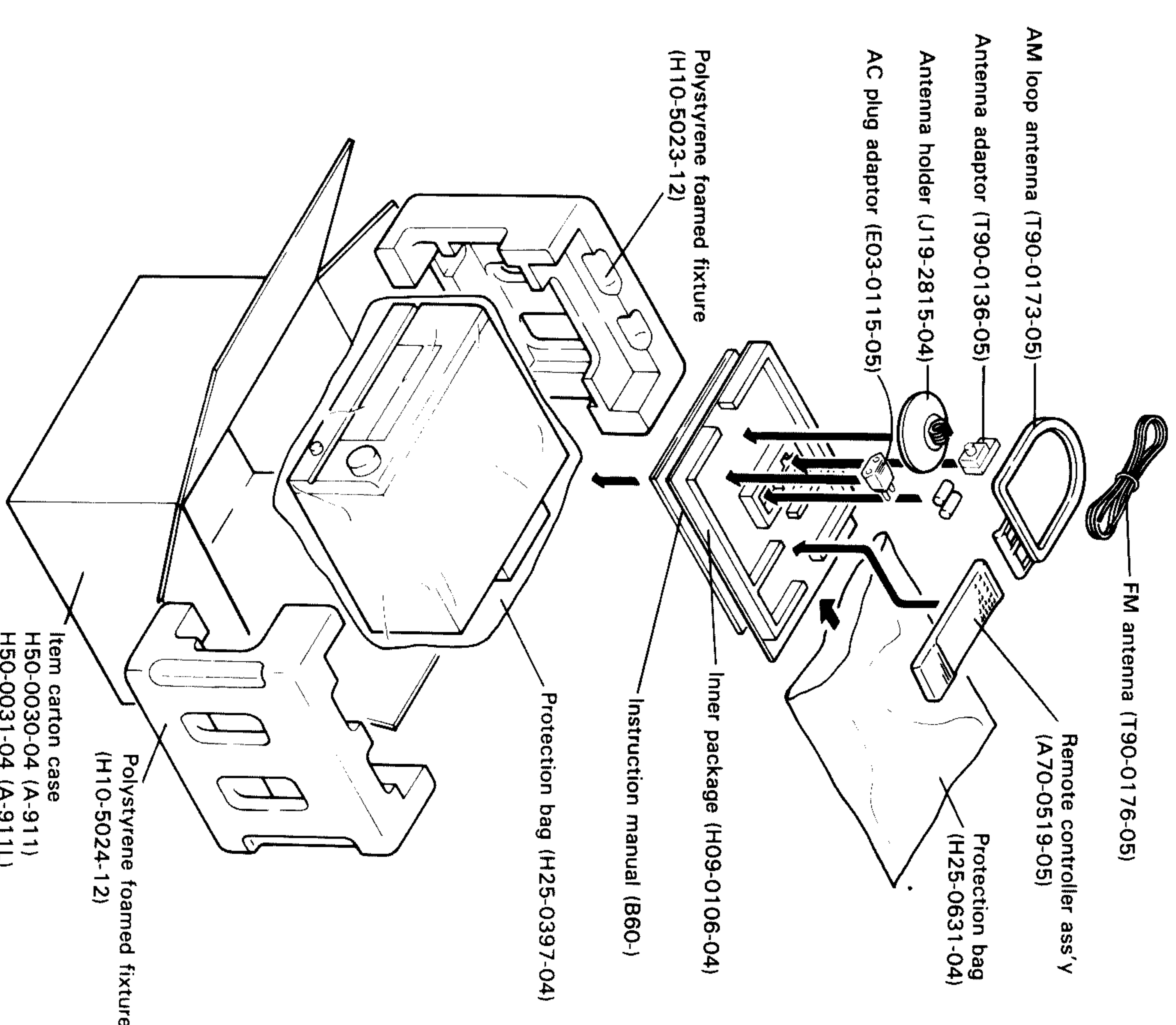
It is basically the LED for volume, which serves as one part of master VOL ass'y (R29-5042-05). However, the LED can be easily removed with tweezers after removing the volume thumbscrew when LED malfunctions.



8. Exchange the fuse resistance mounted on the printed board of power-source transformer for a new one after removing the transformer and putting it on the side of the set.



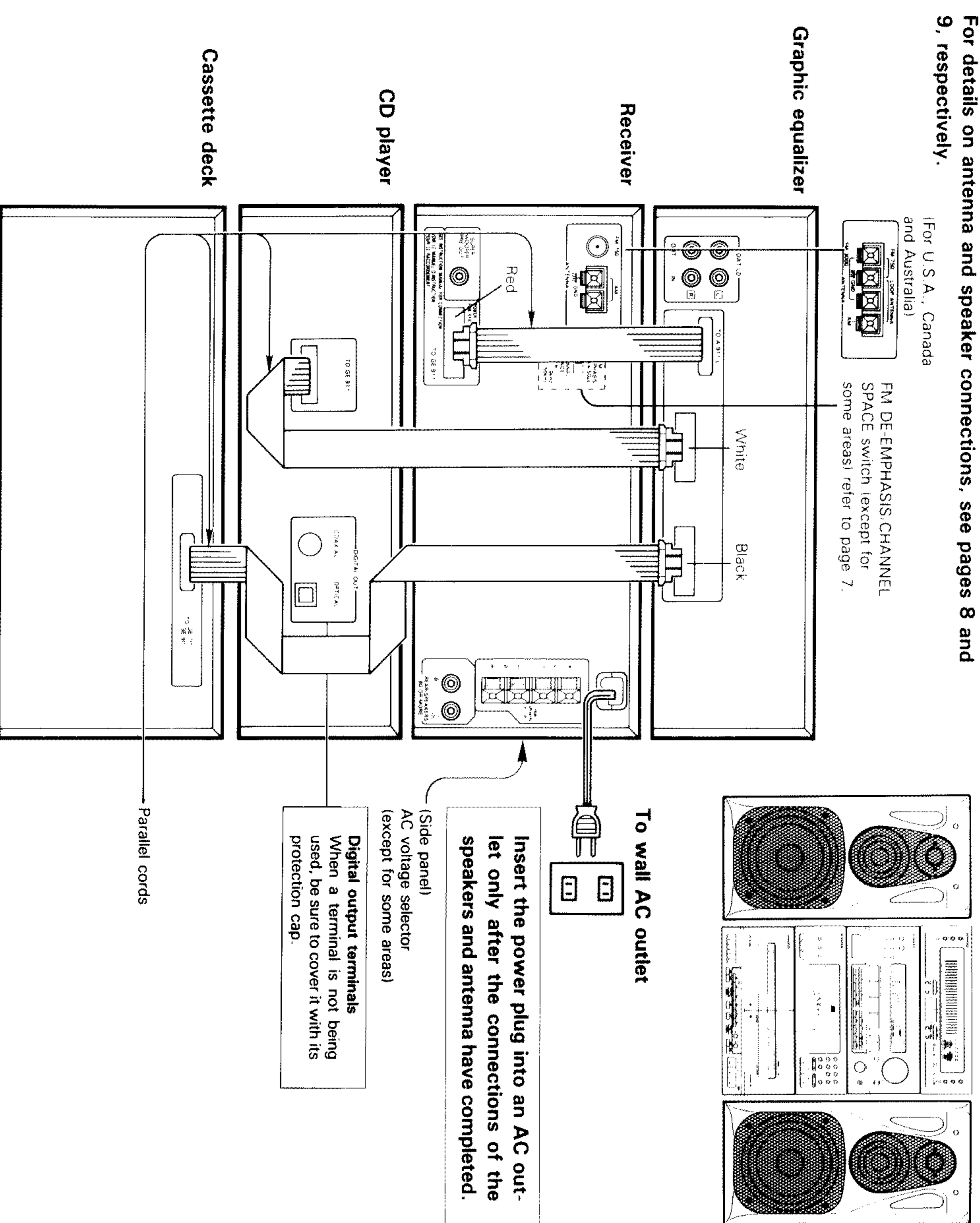
PACKING



System connections

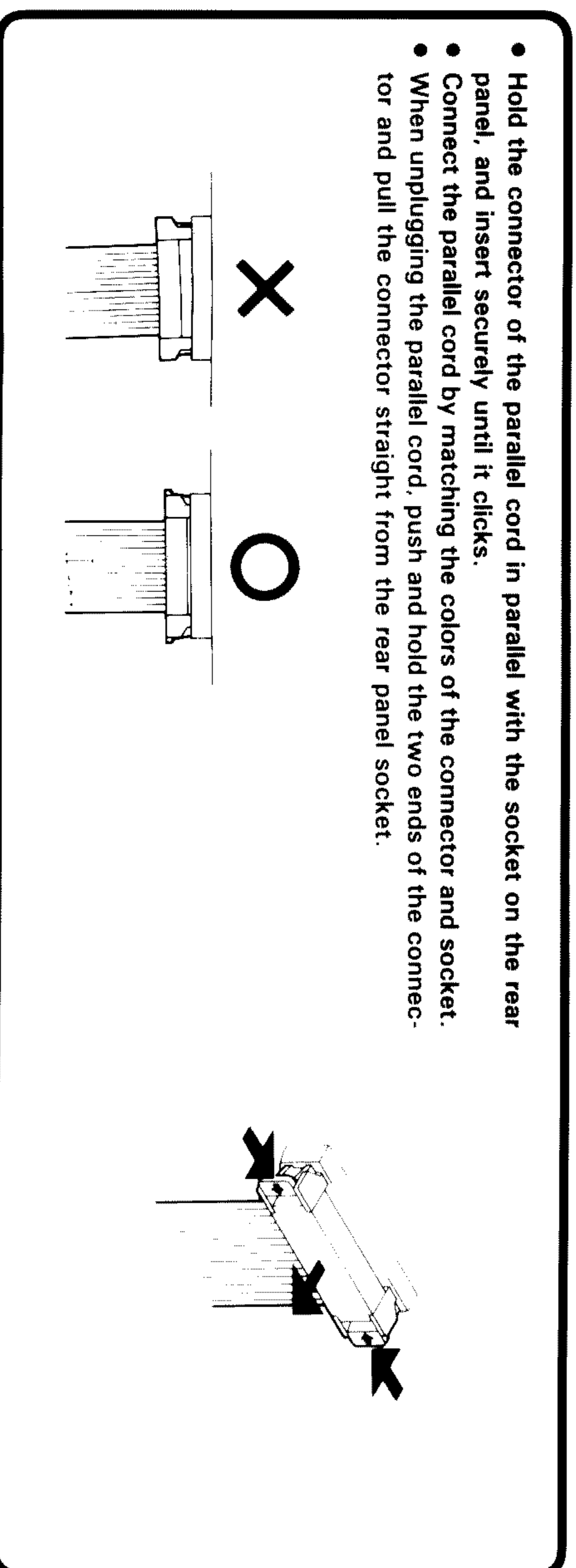
Make connection as shown below. When connecting the related system components, refer also to the instruction manuals of the related components.

When connecting the parallel cord, be sure to match the colors of the sockets. Do not plug in the power lead until all connections are completed. For details on antenna and speaker connections, see pages 8 and 9, respectively.



Connection of parallel cord

- Hold the connector of the parallel cord in parallel with the socket on the rear panel, and insert securely until it clicks.
- Connect the parallel cord by matching the colors of the connector and socket.
- When unplugging the parallel cord, push and hold the two ends of the connector and pull the connector straight from the rear panel socket.

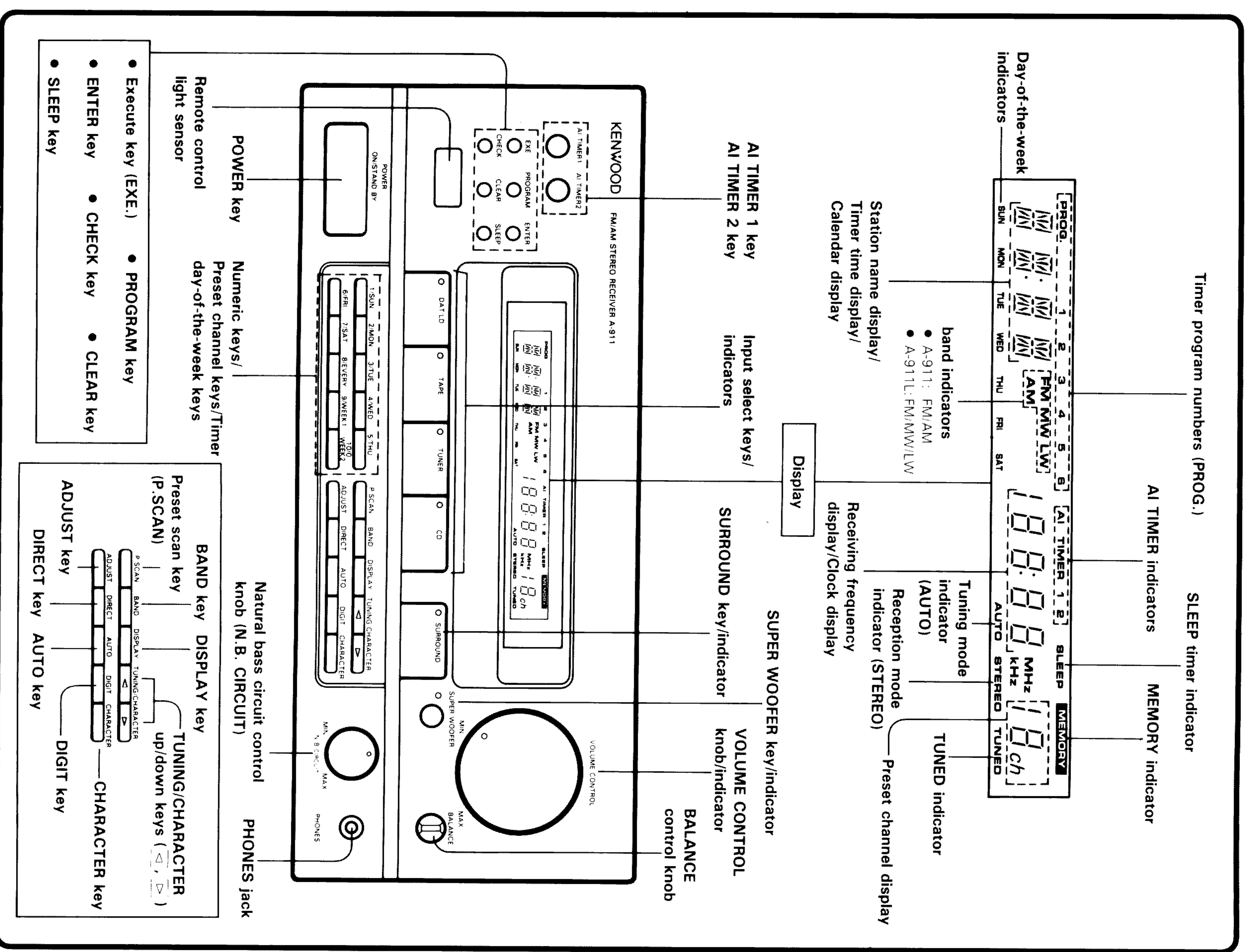


Notes:

- Connect all cords firmly. If connections are loose there could be loss of sound or noise produced.
- When plugging and unplugging connection cords without removal of the power cord can cause malfunctions or damage to the unit.

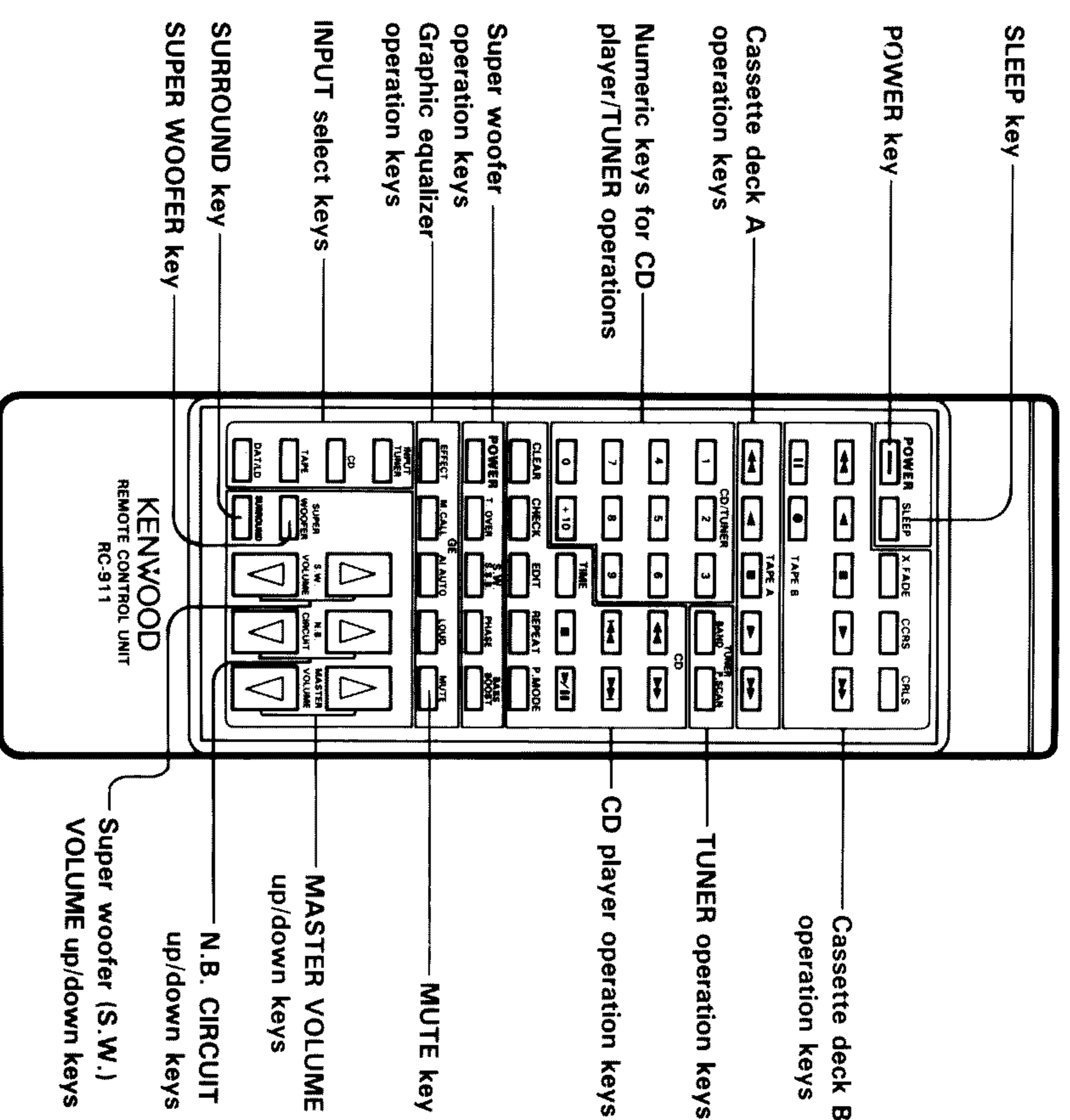
Controls and indicators

Receiver



DISASSEMBLY FOR REPAIR

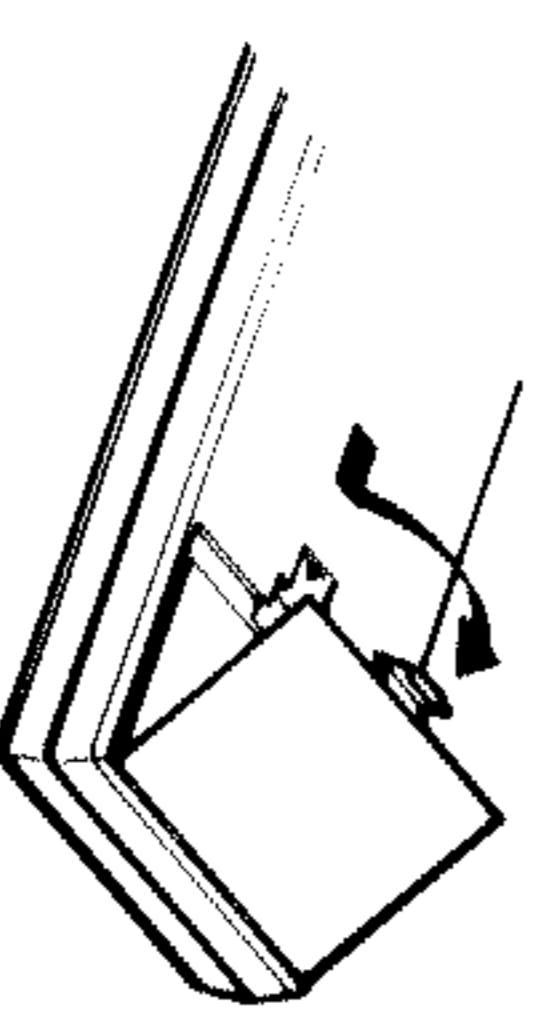
Operation of remote control unit



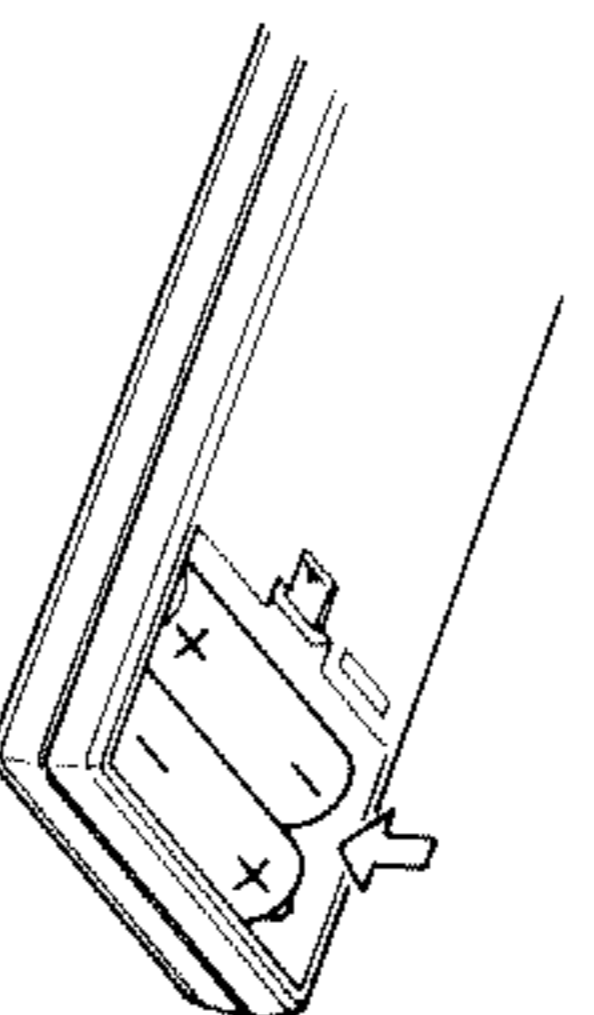
Model: RC-911 infrared system

■ Loading batteries

1 Remove the cover.

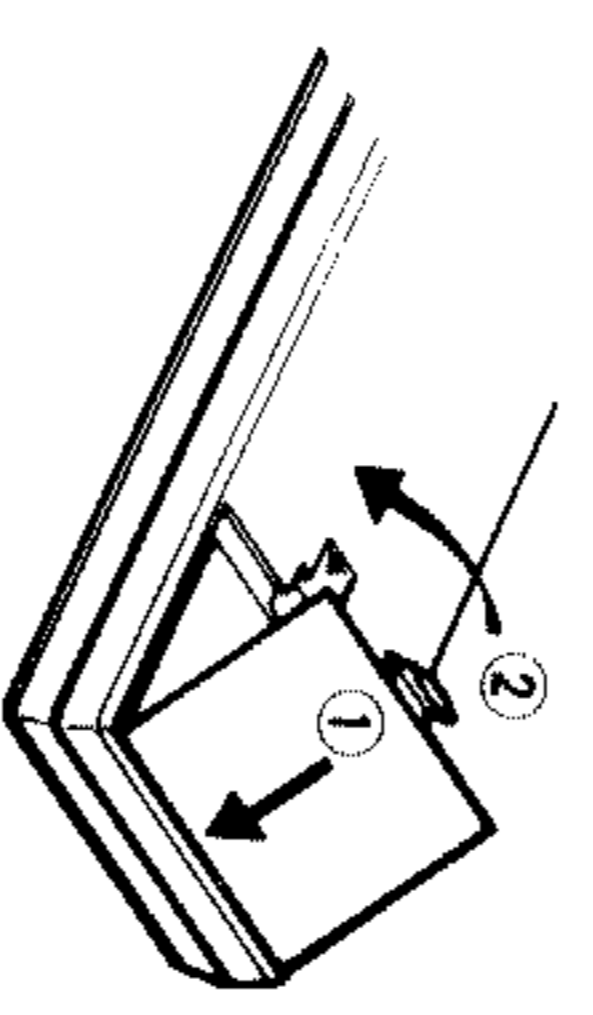


2 Insert batteries.



Insert two AA-size (R6/SUM-3) batteries as indicated by the polarity marking.

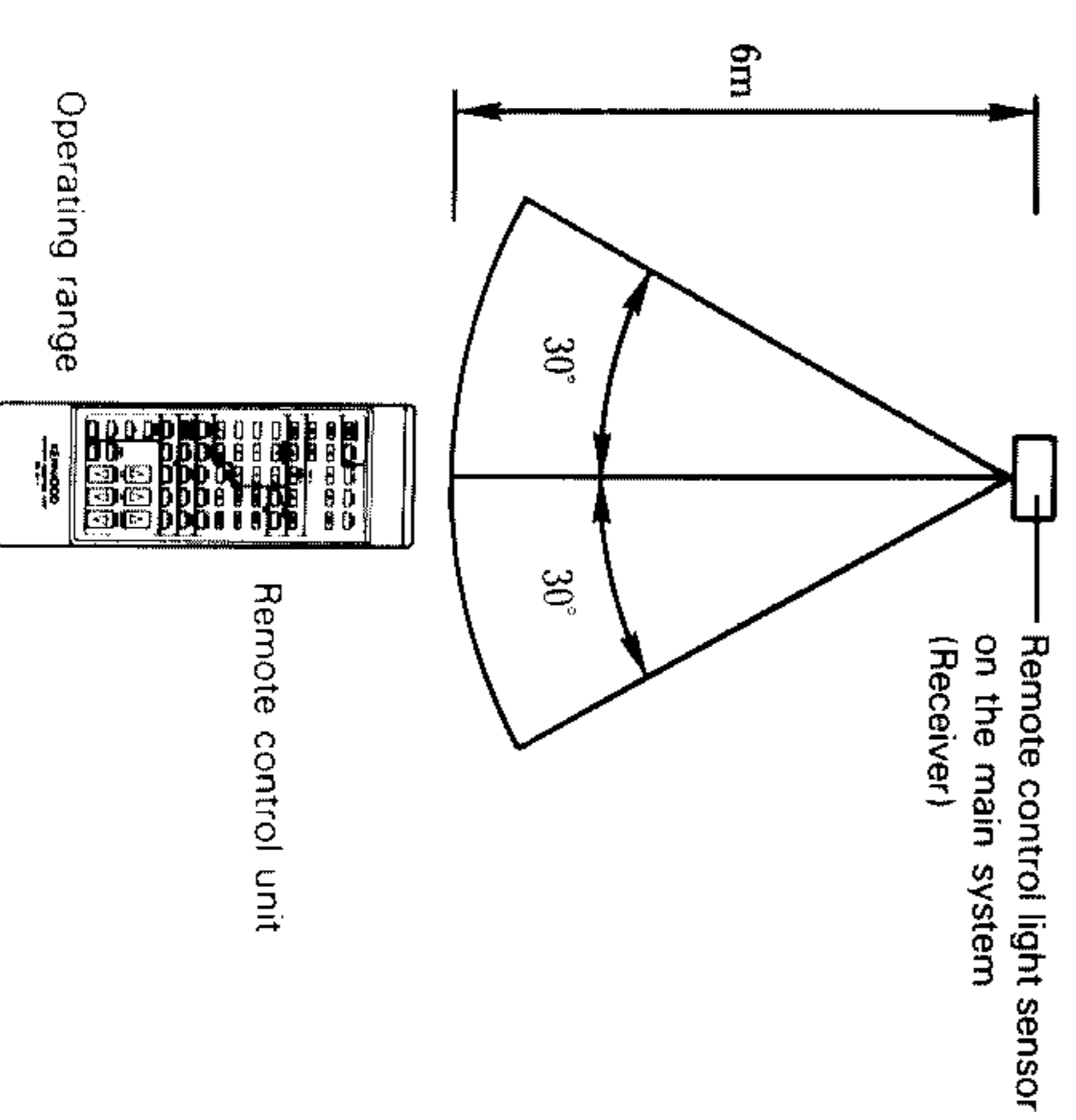
3 Close the cover.



■ Operation procedure

Plug the power cord of the system into an AC wall outlet, and press the POWER key on the remote control unit to turn the power on.
When the power is turned on, press the key of the source component to be operated.

- When two operation keys on the remote control unit are pressed successively, press each key securely/reserving an interval of more than 1 second for each press.

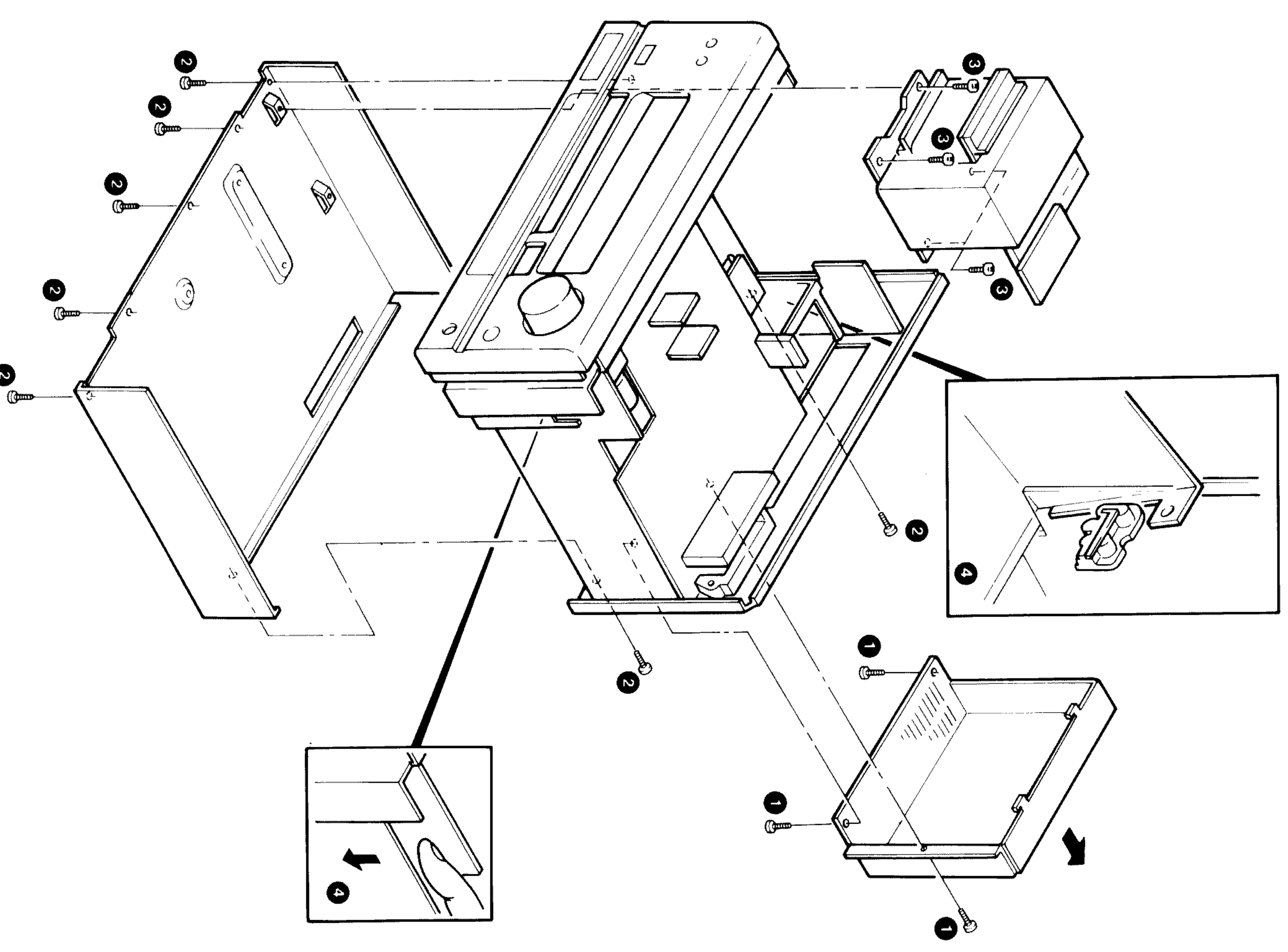


Notes:

1. The supplied batteries are intended for use in operation checks. Therefore, their lives may be shorter than ordinary batteries.
2. When the remote-controllable distance gets shorter than before, replace both batteries with new ones.
3. Malfunction may occur if direct sunlight or the light of a high-frequency lighting fluorescent lamp enters the remote control light sensor. In such a case, change the system installation position to prevent the malfunction.

How to remove the chassis of bottom board

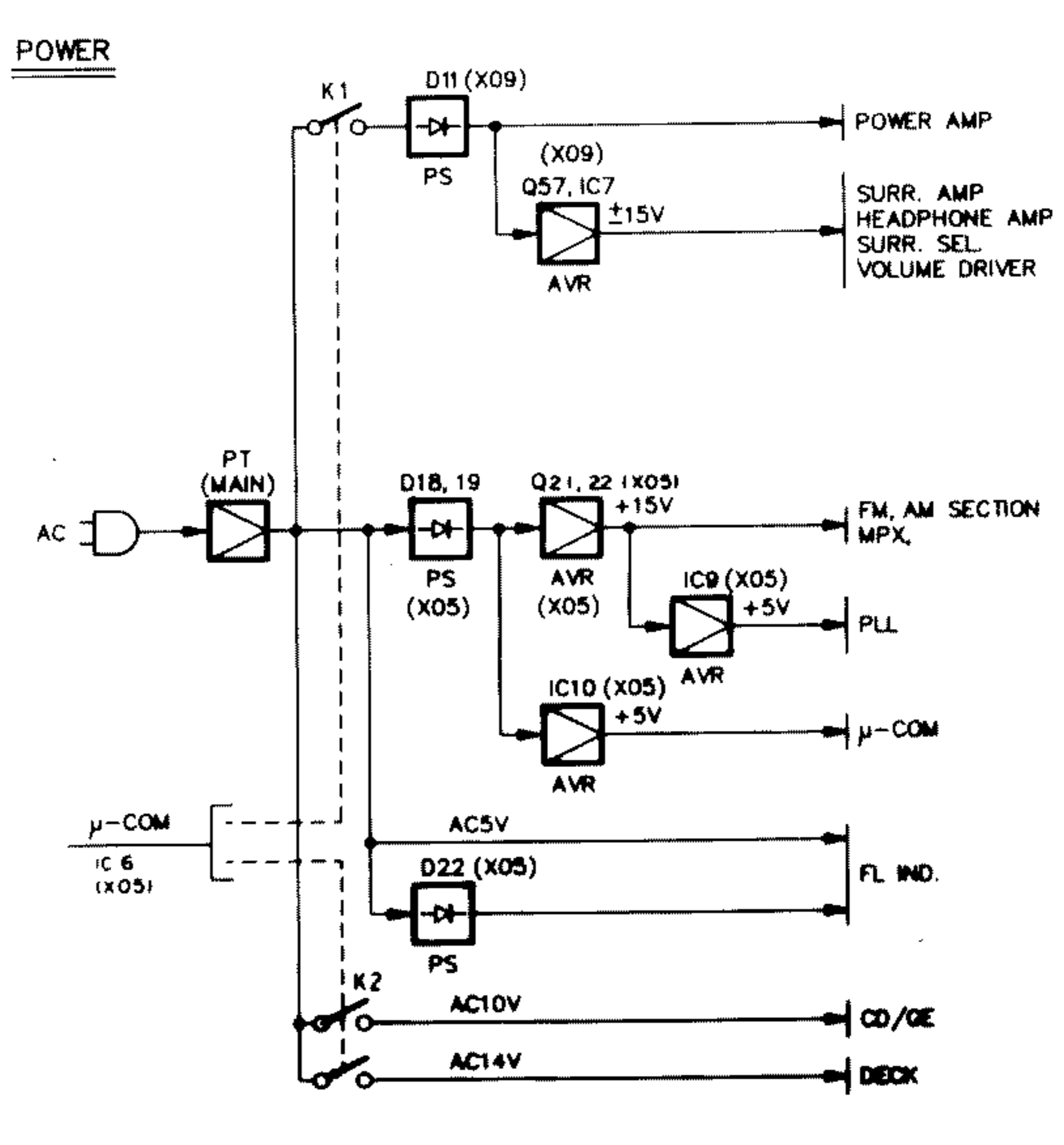
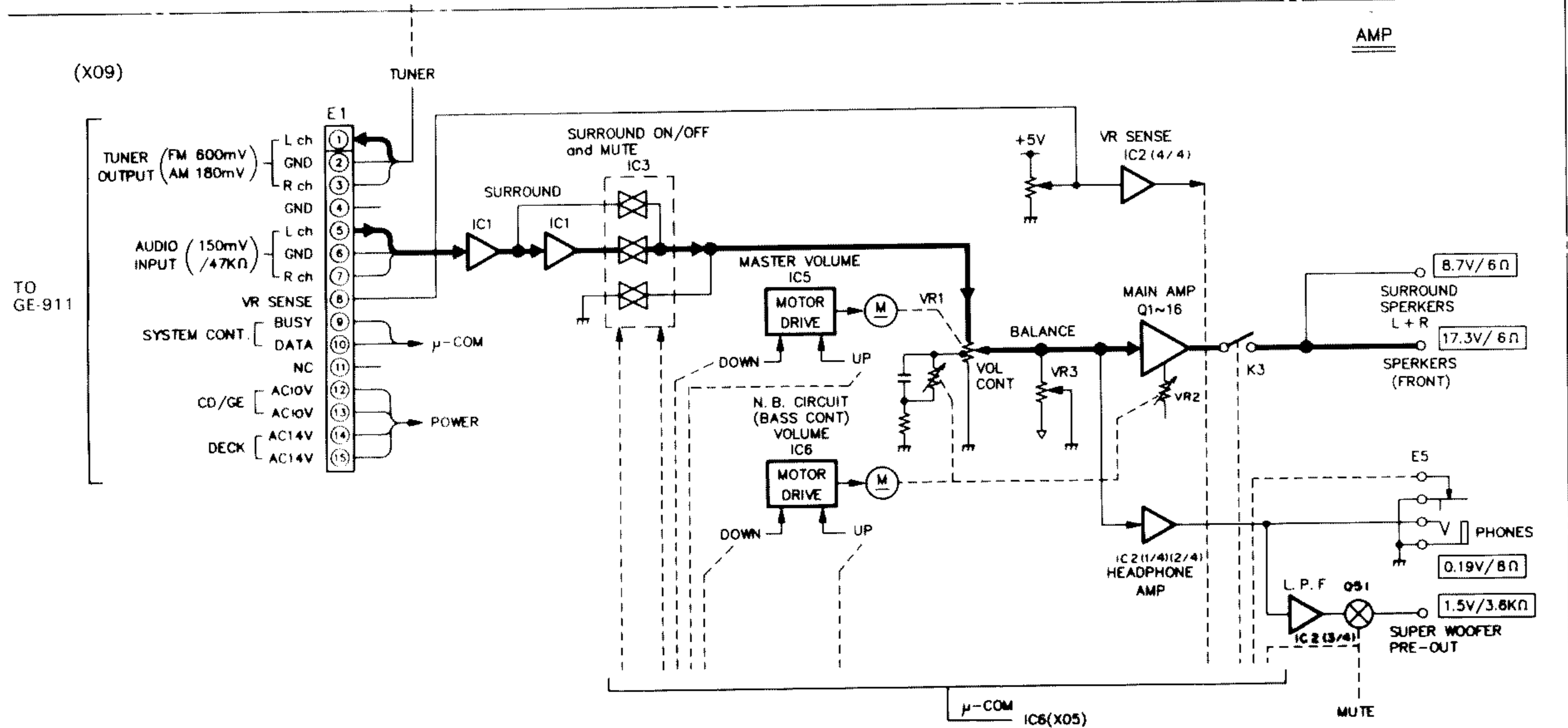
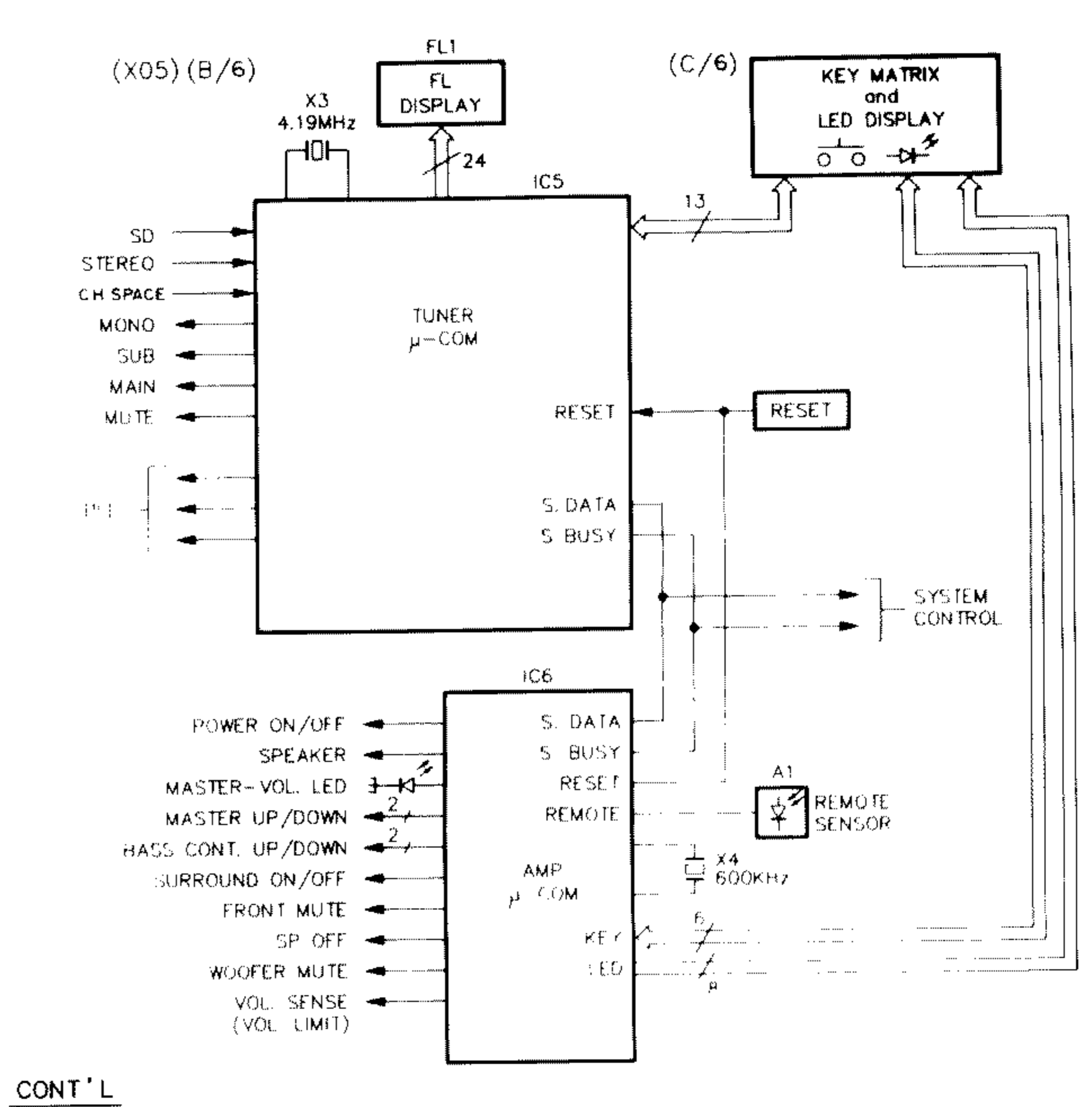
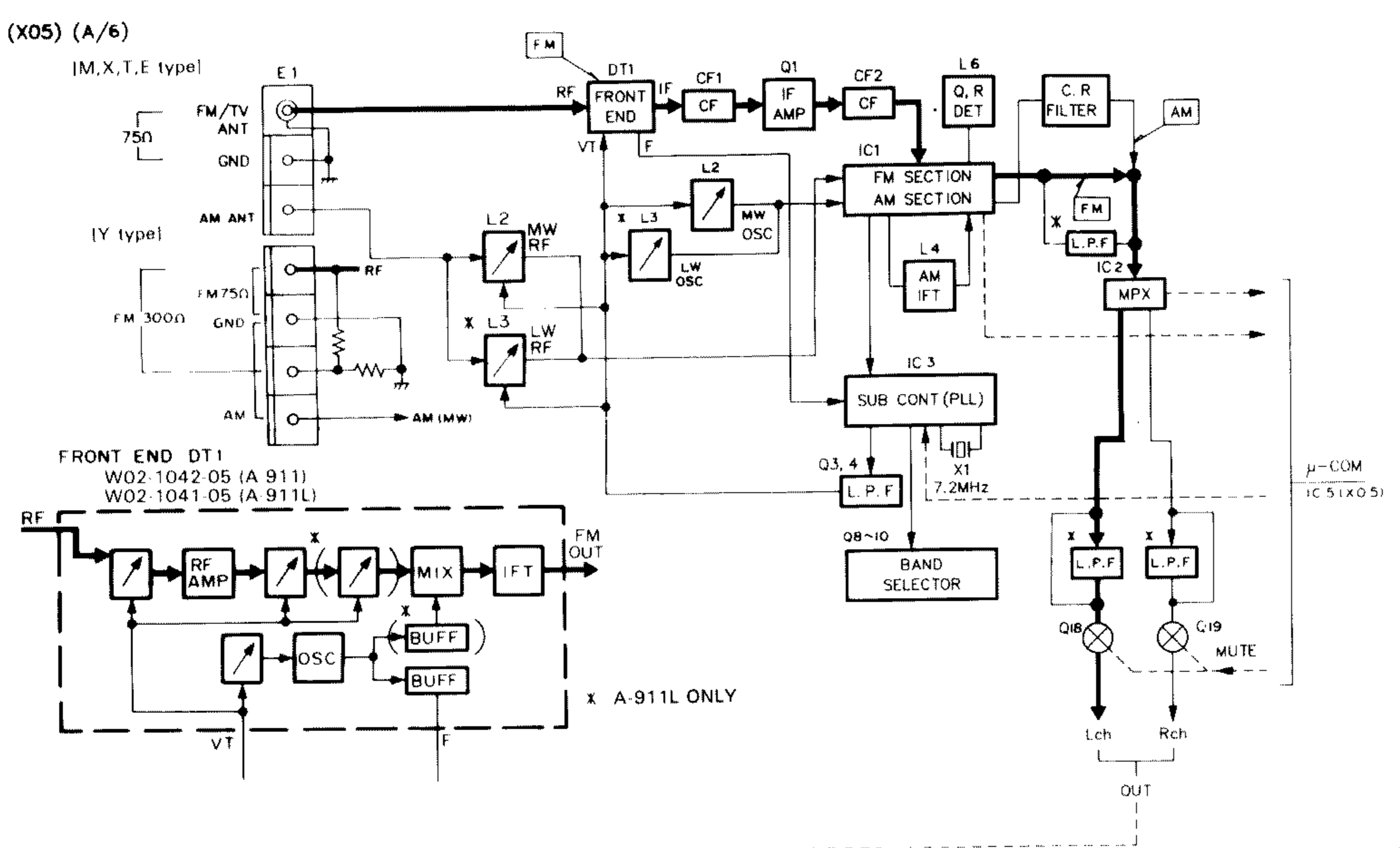
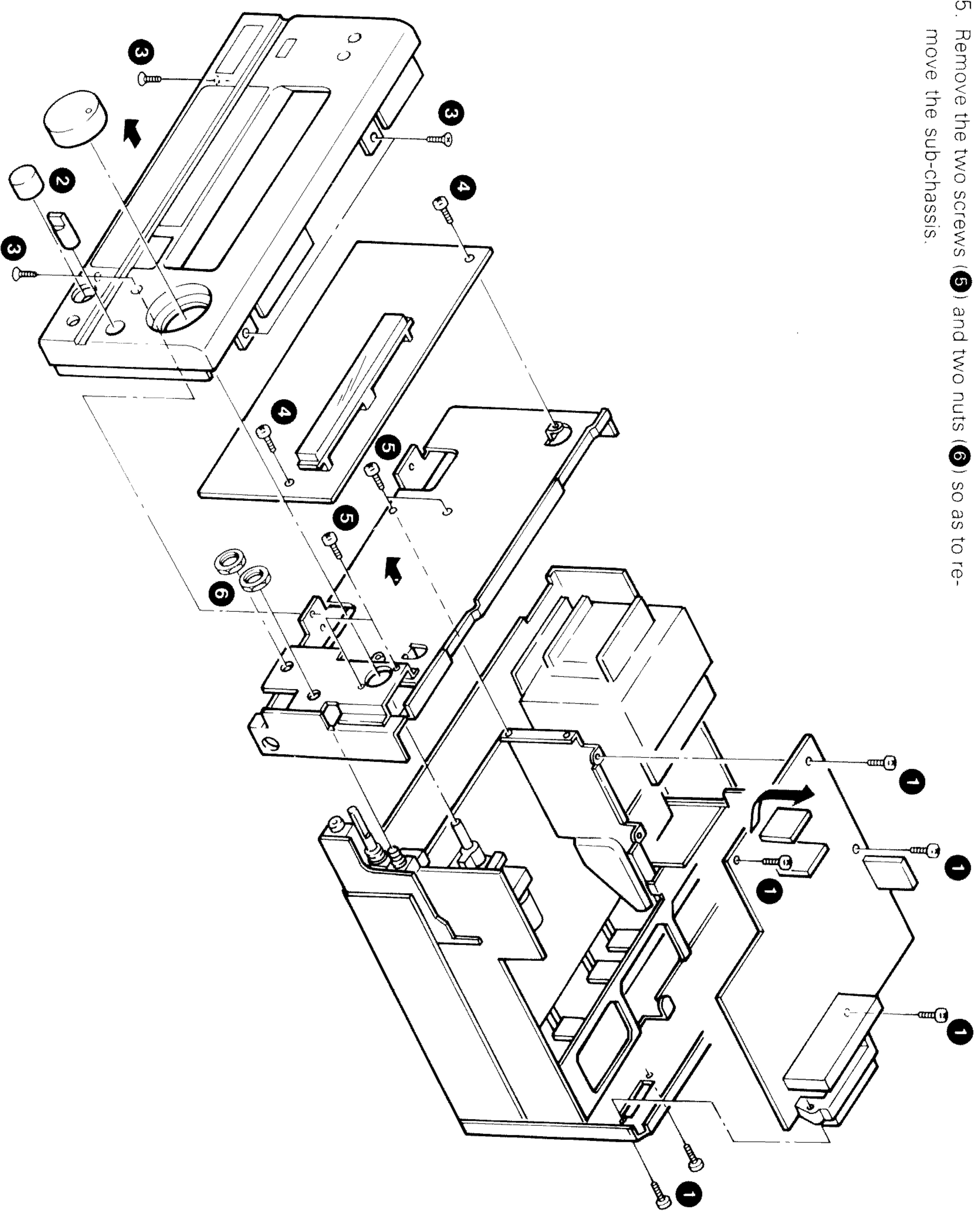
1. Detach the radiator cover by removing the three screws (1) from the cover of rear side. (It is used for check and so on of power transistor)
2. Remove seven screws (2) of chassis of added bottom board.
3. Remove four screws (3) of the transformer.
4. Remove the chassis of bottom board from the right side of front panel by paying attention not to hook it with surround terminals. (4)



DISASSEMBLY FOR REPAIR

How to remove tuner board and front panel

1. Remove six screws (1), then detach the tuner board from the front side.
2. Remove the three thumbscrews (2).
3. Remove four screws (3) so as to remove the panel.
4. Remove two screws (4) so as to remove the indication board.
5. Remove the two screws (5) and two nuts (6) so as to remove the sub-chassis.



BLOCK DIAGRAM

CIRCUIT DESCRIPTION

Function of components
Tuner unit (X05-3992-71)

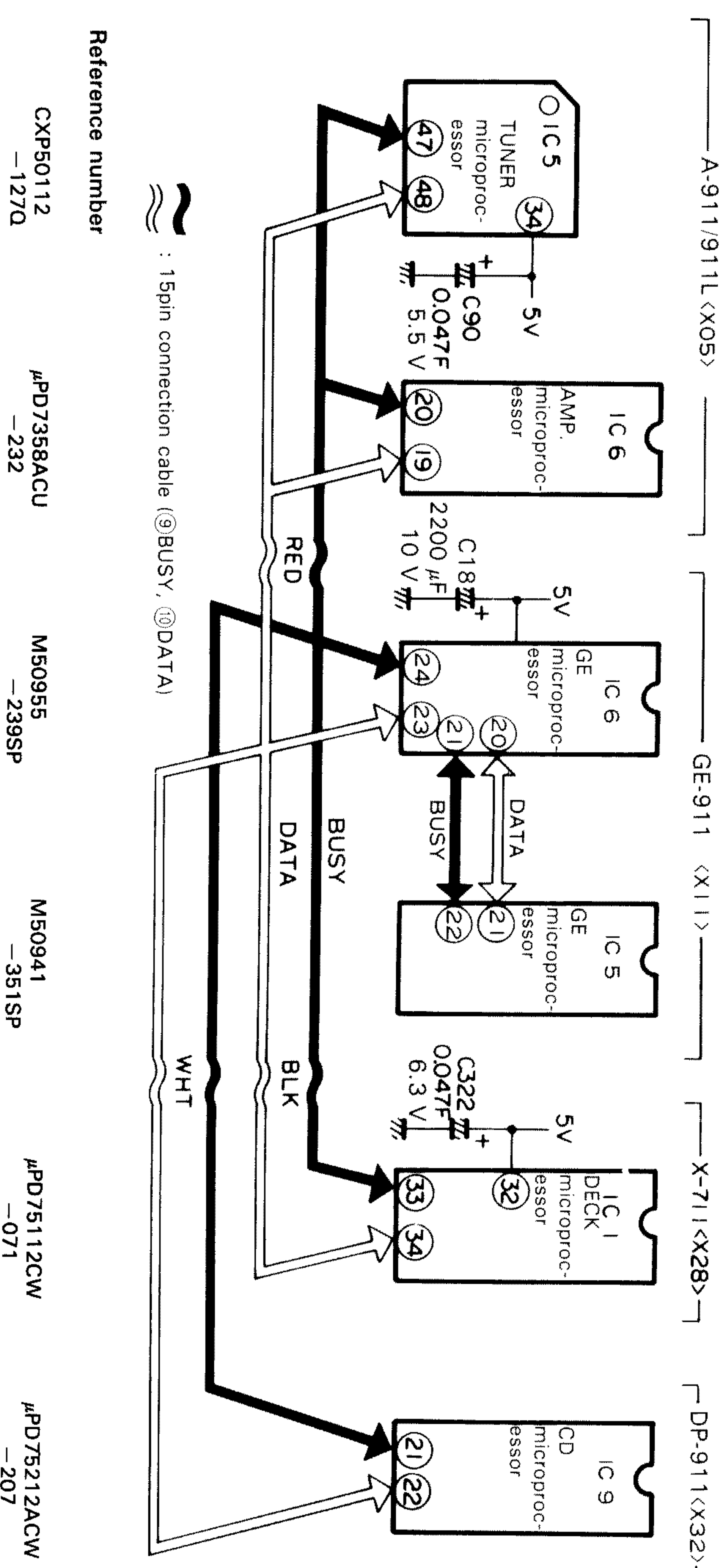
Ref No.	Components	Use/Function	Operation/Condition
IC1	LA1265	FM/AM system IC	FM IF amplification, FM detection, AM MIX, AM IF amplification and AM detection.
IC2	AN7470	Audio demodulation (AM, FM)	FM stereo multiplex
IC3	LM7001	PLL IC	PLL
IC5	CXP60112-127Q	Tuner microprocessor	Tuner control, timer operation and control of others.
IC6	μ PD7538ACU-232	Amplifier microprocessor	Amplifier control.
IC7	PST529D	Reset IC	Generates the reset power source.
IC9	μ PC7805HF or AN7805F	+5V 3-terminal regulator	+5V rectification
IC10	μ PC7805HF or AN7805F	+5V 3-terminal regulator	+5V rectification
O1	2SC1923(R,O)	IF amplification	IF amplification of FM
O2	2SK163(L,M)	PLL time constant conversion SW	At the time of LW reception: OFF
O3	2SC945(A)(Q,P) or 2SC1740S(Q,R)	L.P.F.	L.P.F. for PLL (integration type)
O4	2SC1845(F,E)	L.P.F.	L.P.F. for PLL (integration type)
O5	2SC945(A)(Q,P) or 2SC1740S(Q,R)	MW/LW conversion	At the time of MW: ON
O6	2SC945(A)(Q,P) or 2SC1740S(Q,R)	MW/LW conversion	At the time of LW: ON
O7	2SC945(A)(Q,P) or 2SC1740S(Q,R)	Buffer	Buffer for FM detecting output (for L.P.F. matching)
O8	2SA733(A)(Q,P) or 2SA933S(Q,R)	FM + B conversion	At the time of receiving FM: ON
O9	2SA733(A)(Q,P) or 2SA933S(Q,R)	LW + B conversion	At the time of receiving LW: ON
O10	2SA733(A)(Q,P) or 2SA933S(Q,R)	MW + B conversion	At the time of receiving MW: ON
O11	2SC945(A)(Q,P) or 2SC1740S(Q,R)	Deemphasis conversion	$\left(\begin{array}{l} 50 \mu\text{sec.} \leftrightarrow 75 \mu\text{sec.} \\ \text{At the time of Tr. ON: } 75 \mu\text{sec.} \end{array} \right)$
O12	2SC945(A)(Q,P) or 2SC1740S(Q,R)	Deemphasis conversion	
O13	2SC945(A)(Q,P) or 2SA1740S(Q,R)	Reversing circuit	Controls reset circuit (Tuner μ -COM)
O14	2SA733(A)(Q,P) or 2SA933S(Q,R)	Reversing circuit	Controls reset circuit (Amplifier μ -COM)
O15	2SA733(A)(Q,P) or 2SA933S(Q,R)	Reversing circuit	Reverses the mute signal from the amplifier microprocessor.
O16	2SA733(A)(Q,P) or 2SA933S(Q,R)	Reversing circuit	Reverses the mute signal from the tuner microprocessor.
O17	2SA733(A)(Q,P) or 2SA933S(Q,R)	Destination Conversion SW	Converts deemphasis and channel space.
O18	2SD1302(S,T)	Mute	Mute SW of Lch.
O19	2SD1302(S,T)	Mute	Mute SW of Rch.
O21	2SD1266(Q,P)	+14V rectification	Generates the stabilized power source for 14V.
O22	2SC945(A)(Q,P) or 2SC1740S(Q,R)		
O23	2SC945(A)(Q,P) or 2SC1740S(Q,R)		

Function of components
Audio unit (X09-3142-72)

CIRCUIT DESCRIPTION

Ref No.	Components	Use/Function	Operation/Condition
IC1	NJM2058D	Surround	Surround buffer
IC2	NJM2058D	Headphone amplifier, Super woofer buffer, VR detecting comparator	IC2 (1/4) (2/4) headphone amplifier, IC2 (3/4) super-woofer buffer, IC2 (4/4) comparator
IC3	TC9215P	Surround selector	Surround is turned ON/OFF with the pin No. 23 of IC6 <X05>. H: ON, L: OFF
		Mute	MUTE is turned ON/OFF with the pin No. 13 of IC6 <X05>. H: ON, L: OFF
IC4	μ PC1237HA	Protection	
IC5	TA8409S	Main volume drive	MAIN VOL. is turned DOWN/UP with the pin Nos. 6 and 7 of IC6 <X05>.
IC6	TA8409S	N.B.C. volume drive	N.B.C. VOL is turned DOWN/UP with the pin Nos. 10 and 11 of IC6 <X05>.
IC7	μ PC7915HF	-15V stabilizing power source	3-terminal regulator
O1~4	2SA992(F,E)	For the 1st stage A class	
O5, 6	2SA992(F,E)	For the 2nd stage A class	
O7~10	2SC1845(F,E)	For the 2nd stage A class	
O11, 12	2SC4137(F19(V,W))	For temperature compensation	
O13, 14	2SD2255BT*5	Final Tr.	
O15, 16	2SB1493BT*5	Final Tr.	
O17, 18	2SC2631(R,S)	For detecting overloading.	
O51	2SC2878(B)	For super woofer muting	It is turned ON by turning on O52.
O52	2SA733(A)(Q,P) or 2SA933S(Q,R)	Super woofer muting drive	It is turned ON by lowering pin No. 9 of IC6 (X05).
O53	2SA733(A)(Q,P) or 2SA933S(Q,R)	Ripple filter	
O54	2SA992(F,E)	For protection	
O55	2SC3666	AC relay drive	It drive AC relay K1, 2 with the pin No.14 of IC6 (X05).
O56	2SC1740S(Q,R) or 2SC945(A)(Q,P)	Speaker relay drive	It drives the SP relay K3 with the pin No.16 of IC6 (X05).
O57	2SD1266(Q,P)	+15V stabilizing, power source	
D1,2	HSS104 or 1SS133	For A class	
D3,4	HSS104A or 1SS131	For protection	
D11	RBV-602LFA	For rectification	
D12	HZS15S(B) or RD15JS(B)	+15V stabilizing, power source	
D13	HZS15S(B) or RD15JS(B)	For +15V stabilizing power source A class	
D14, 15	HZS5.1N(B2) or RD5.1ES(B2)	For VR detection	
D16	HZS4.7N(B) or RD4.7ES(B)	For muting	
D17~22, 34, 35	HSS104 or 1SS133	For protection of static electricity	
D23	HSS104 or 1SS133	For removing headphone shock noise	
D24	HSS104 or 1SS133	For removing selector shock noise	
D25, 26	HSS104 or 1SS133	For relay	
D27	HSS104A or 1SS131	For relay	
D28	HSS104A or 1SS131	For detecting protection AC	
D29	S5566B	For rectifying AC relay power source	
D32	HSS104 or 1SS133	For mute	
D33	HSS104 or 1SS133	For VR LED	
D34 or 35	HSS104 or 1SS133	For protection of static electricity	

Microprocessor and back-up condenser of this unit

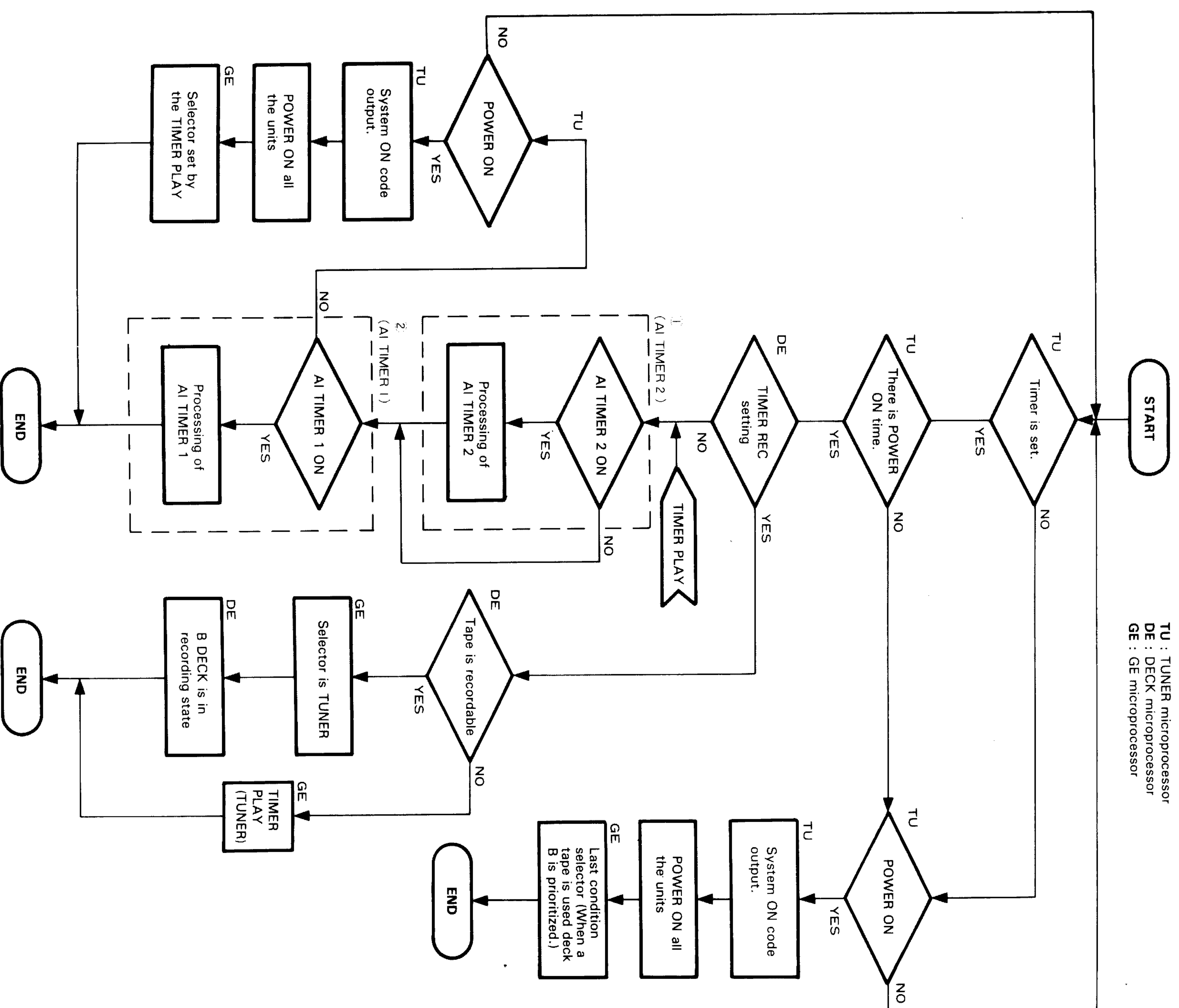


Initialization (reset) of each microprocessor and test mode

A-911/911L		GE-911		X-711		DP-911	
	TUNER microprocessor IC5 (X05)	AMP. microprocessor IC6 (X05)	microprocessor IC5, 6 (X11)	microprocessor IC1 (X28)	microprocessor IC9 (X32)		
Back-up Condenser	(X05) C90 0.047F 5.5V	None	(X11) C18 2200μF 10V	(X28) C322 0.047F 6.3V	None		
Initialization (Reset)	Insert the AC plug to the outlet while pressing the "ENTER" key.	Pull out the AC plug from the outlet and then insert again.	Turn on AC while pressing the "ENTER" and "MEMO" keys of GE.	Keep pressing the "CRLS" key for more than three seconds per selector (turns out to be -15 dB).	Turn AC off once.		
Operation	While simultaneously pressing the selector "CD" and tuning "DOWN" keys, insert AC plug into the outlet and simultaneously touch off the keys.		(1) Turn on AC while pressing the "FLAT" key. (2) There is also the selector test mode.		For details, see the service manual of X-711.		There is the adjustment test mode. For details, see the service manual of DP-911.
Release	Press either one of ten keys, "BAND" or "UP/DOWN" keys.		Turn AC on and off without pressing any key.		No FL tube.		
Contents	(1) Turns on all the FL tubes. For details, see the service manuals of various equipment.						

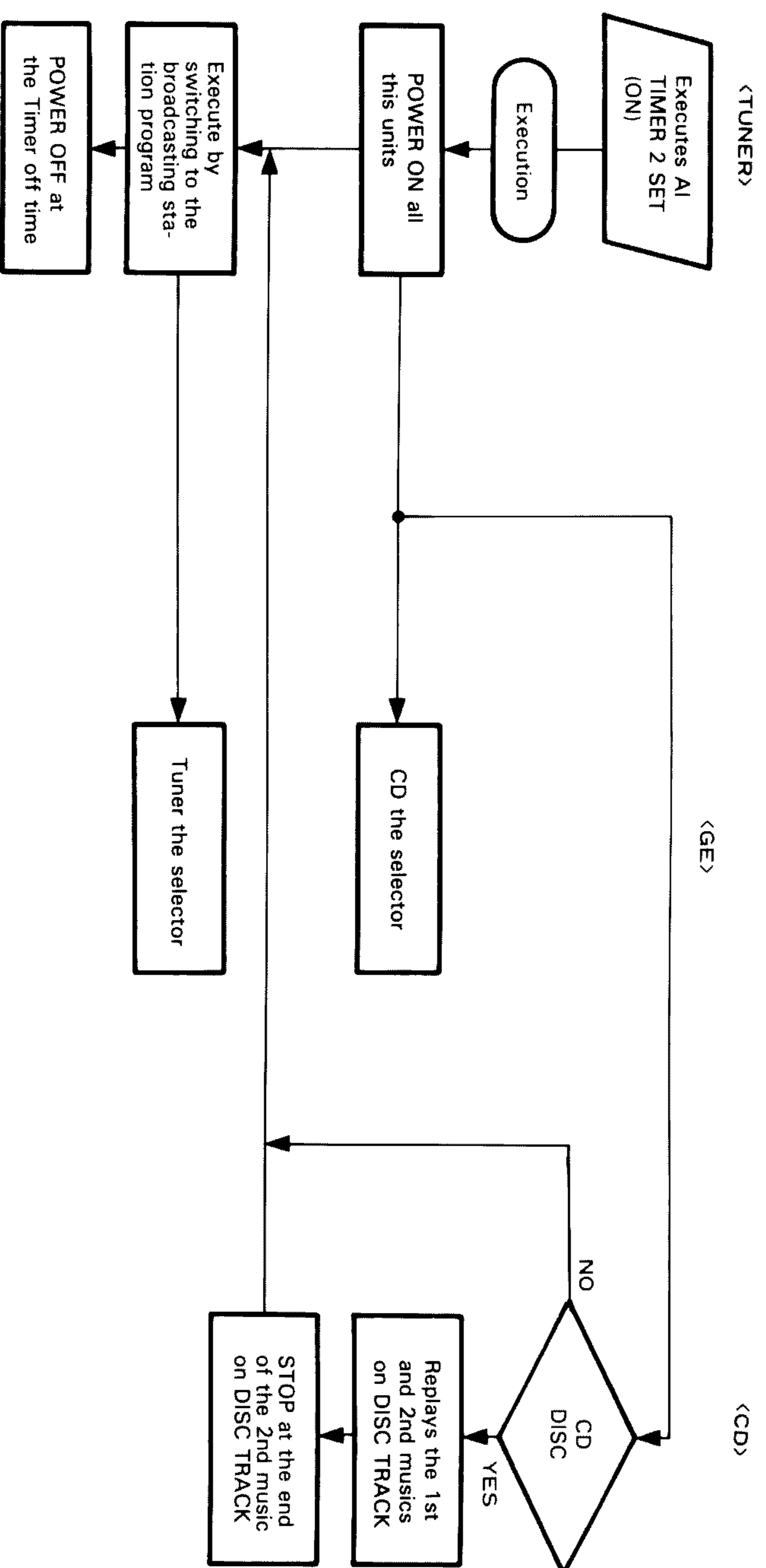
Test mode

Operation of UD-9 system
The flow chart from power on through sound generation

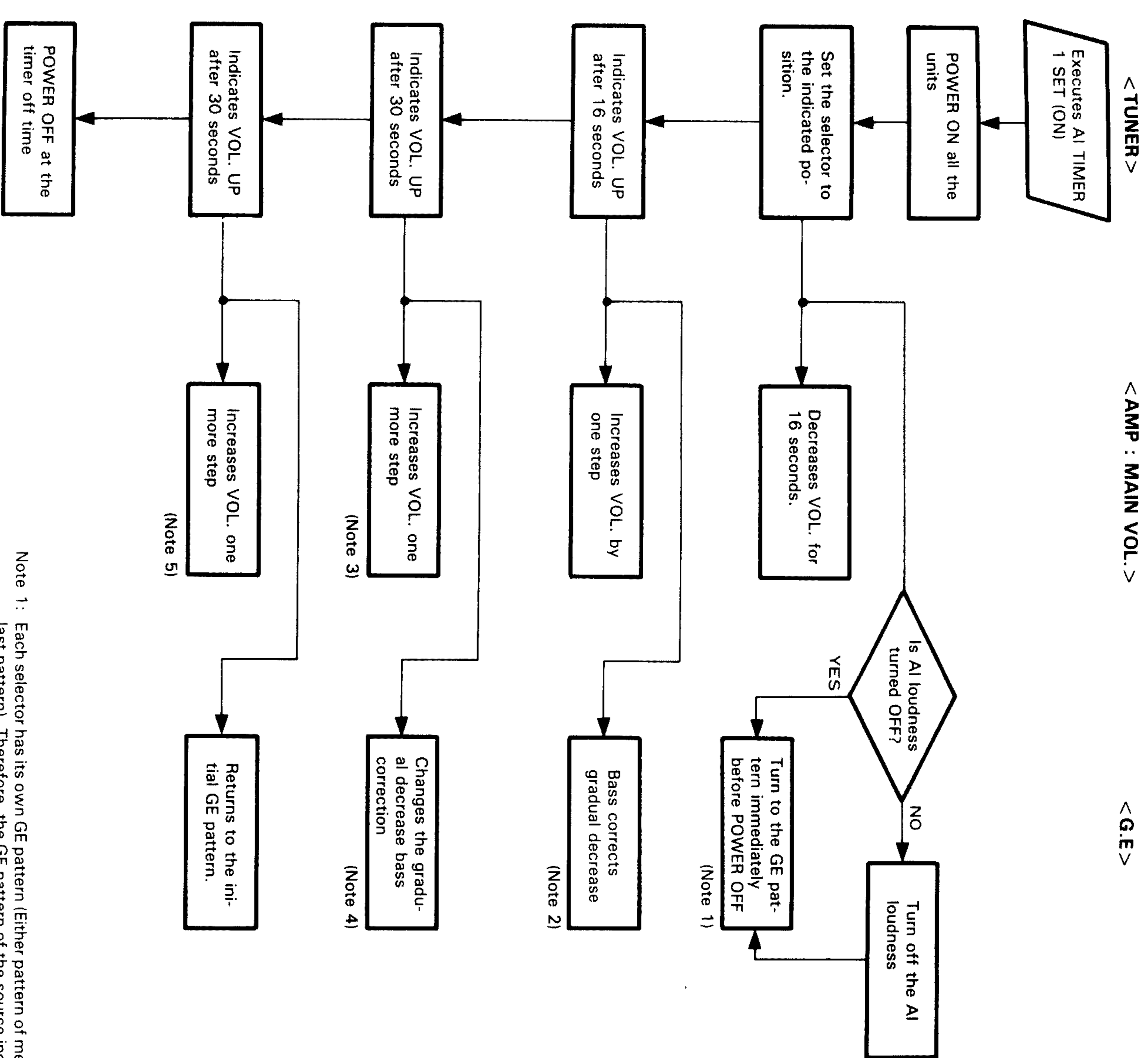


CIRCUIT DESCRIPTION

① Flow chart of AI TIMER 2

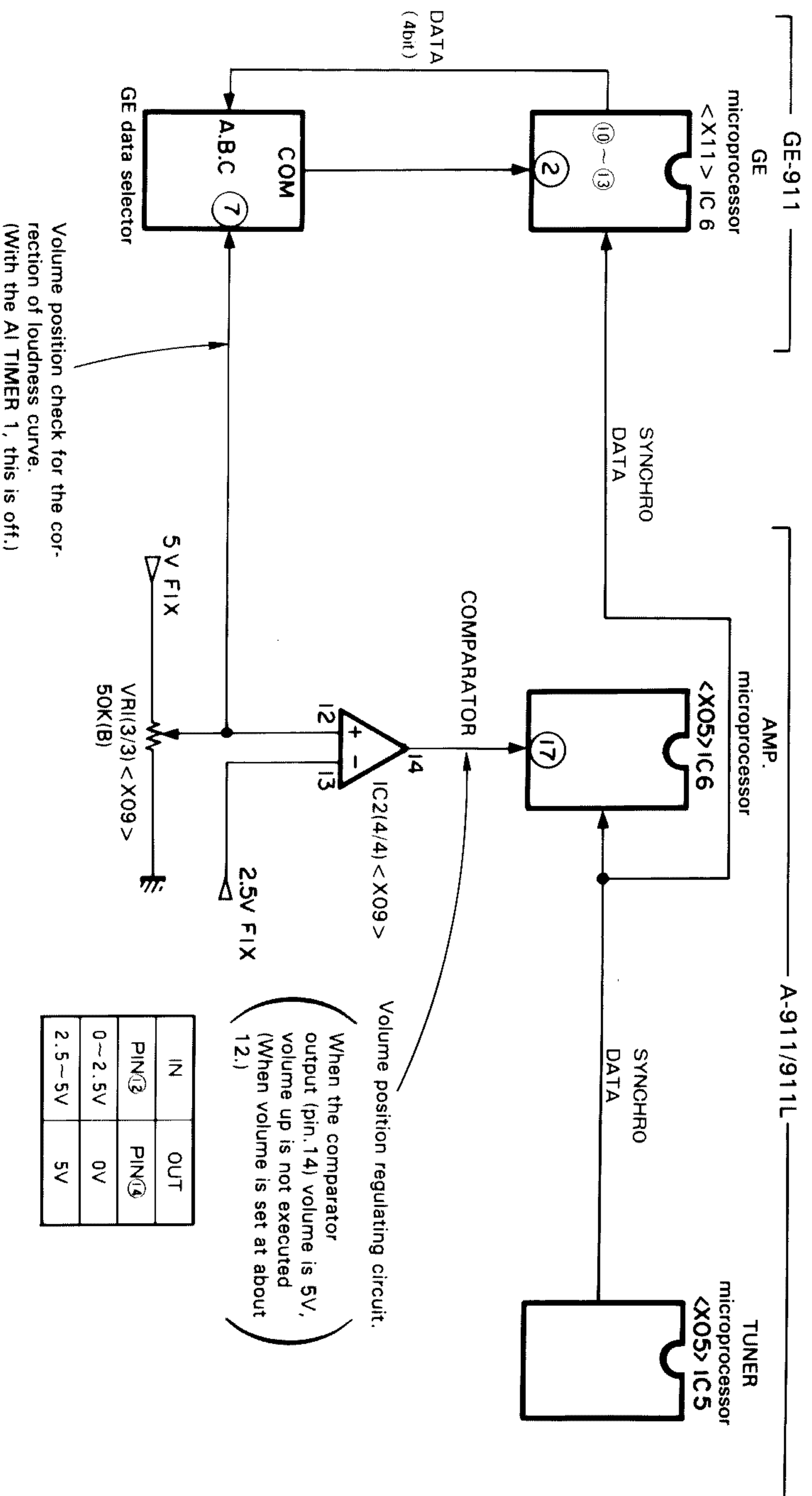


② Indication flow of AI TIMER 1



- Note 1: Each selector has its own GE pattern (Either pattern of memory and last pattern). Therefore, the GE pattern of the source indicated by the timer appears.
- Note 2: Shifts to the pattern which has the loudness effect (There are two patterns of the gradual decrease bass correction of AI TIMER 1).
- Note 3: The three steps of increase volume can be selected.
- Note 4: Decrease correction volume is lowered in accordance with VR UP.
- Note 5: Same as Note 3. However, the VR position is limited at the position of 12.

Operation of AI TIMER 2



CIRCUIT DESCRIPTION

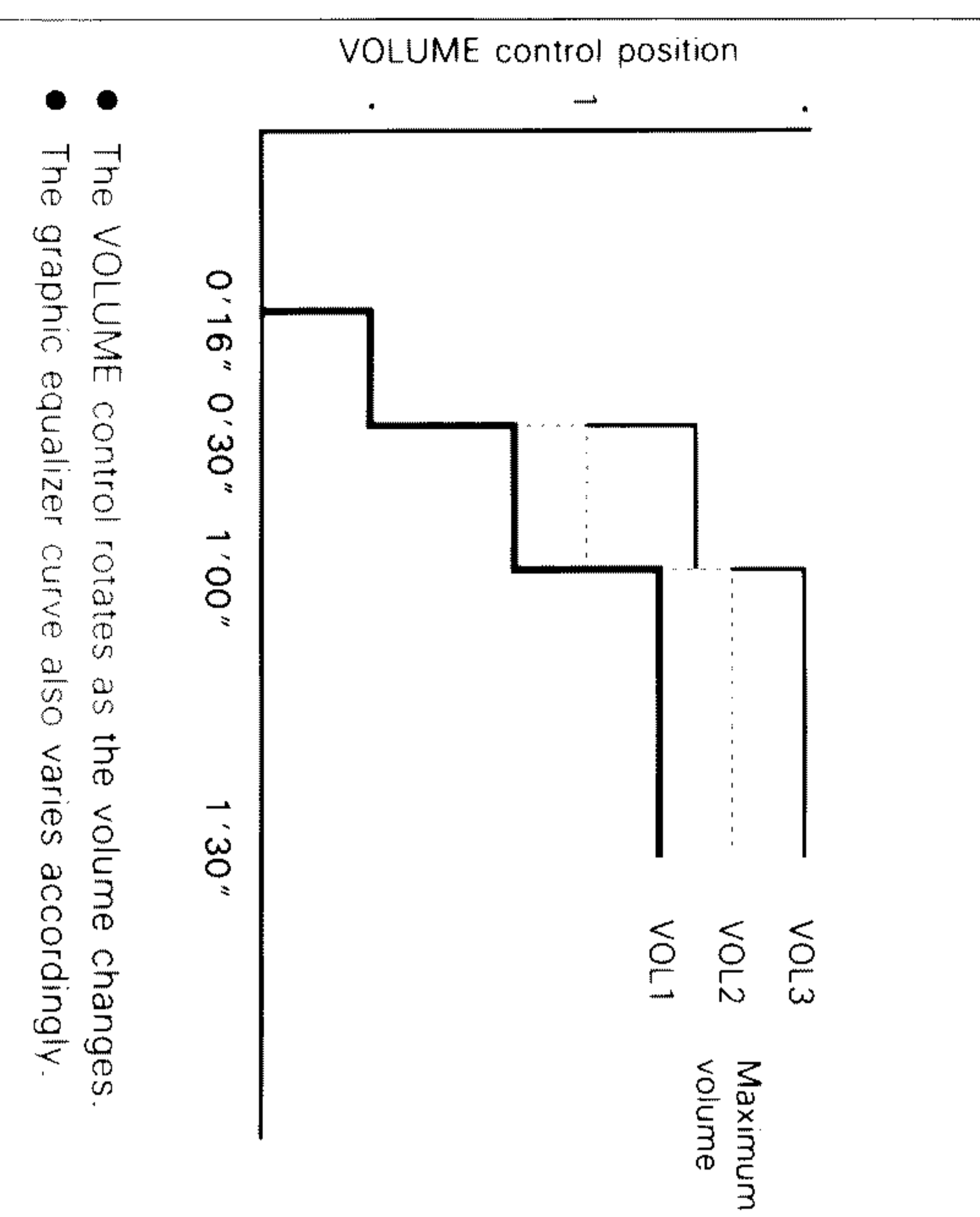
Function description

- a) AI TIMER 1**
- With the program timer mode set to PLAY, when the timer is turned ON, the setting contents for the AI TIMER 1 is activated if the AI TIMER 1 is set to ON (the FL indicator is lit).
 - When the AI TIMER 1 is turned ON, first playback starts with the minimum volume level, then the volume level is increased in three steps.
 - The third-step volume level (the maximum volume level) can be selected among the three types of the volume levels (VOL. 1-3). Each time the AI TIMER 1 key is pressed, the maximum volume level is changed in order from VOL. 1 to VOL. 3 and TIMER OFF setting cyclically.

- ① When the key is pressed with the AI TIMER 1 is OFF (FL indicator is not lit):
- OFF → VOL. 1 → VOL. 2 → VOL. 3

- ② When the key is pressed in the volume setting mode (FL indicator is lit):
- Example: When VOL. 2 is selected
- VOL. 2 → VOL. 3 → OFF → VOL. 1

Reference for volume selection



b) AI TIMER 2

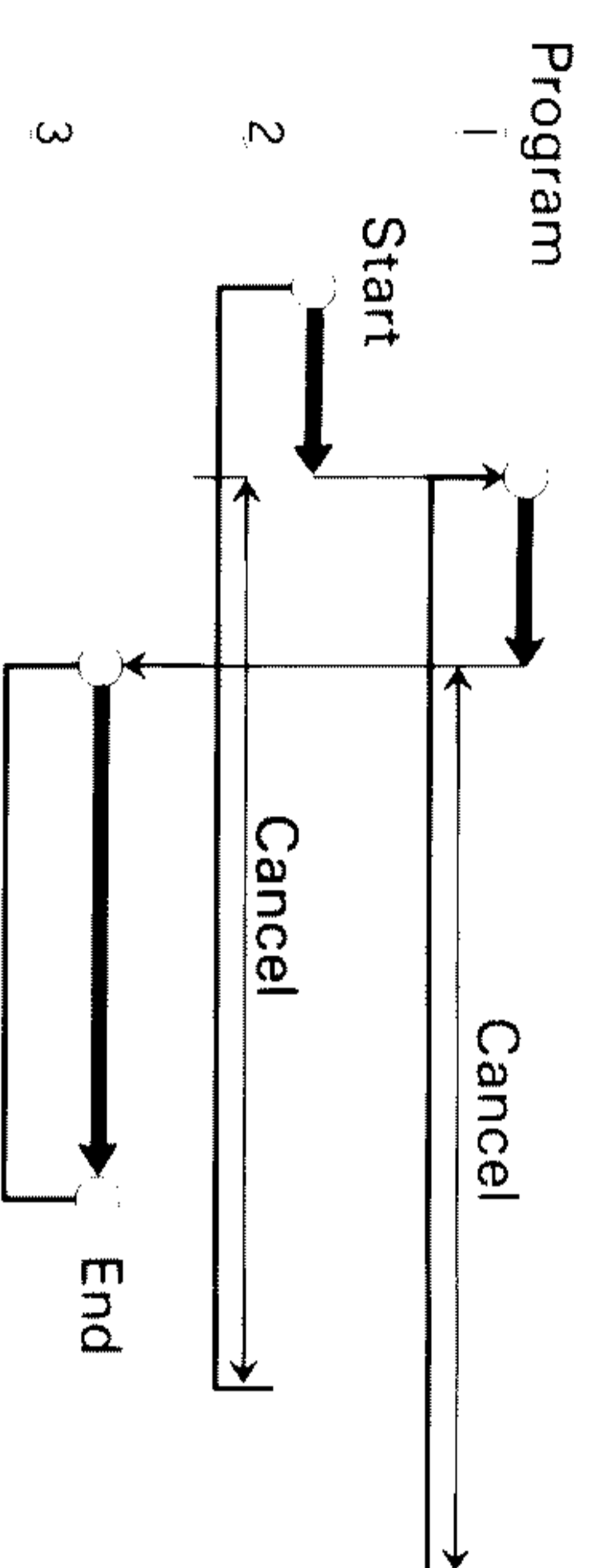
- With the program timer mode set to PLAY, when the timer is turned ON, the setting contents for the AI TIMER 2 is activated if the AI TIMER 2 is set to ON (FL indicator is lit).
- When the AI TIMER 2 is turned ON, if the disc is loaded in the CD player, the two tracks on the disc is played regardless whether the other source is set for play. Then, the playback source is changed to tuner automatically.
- Each time the AI TIMER 2 key is pressed, the timer setting is changed alternately.

Timer program operation

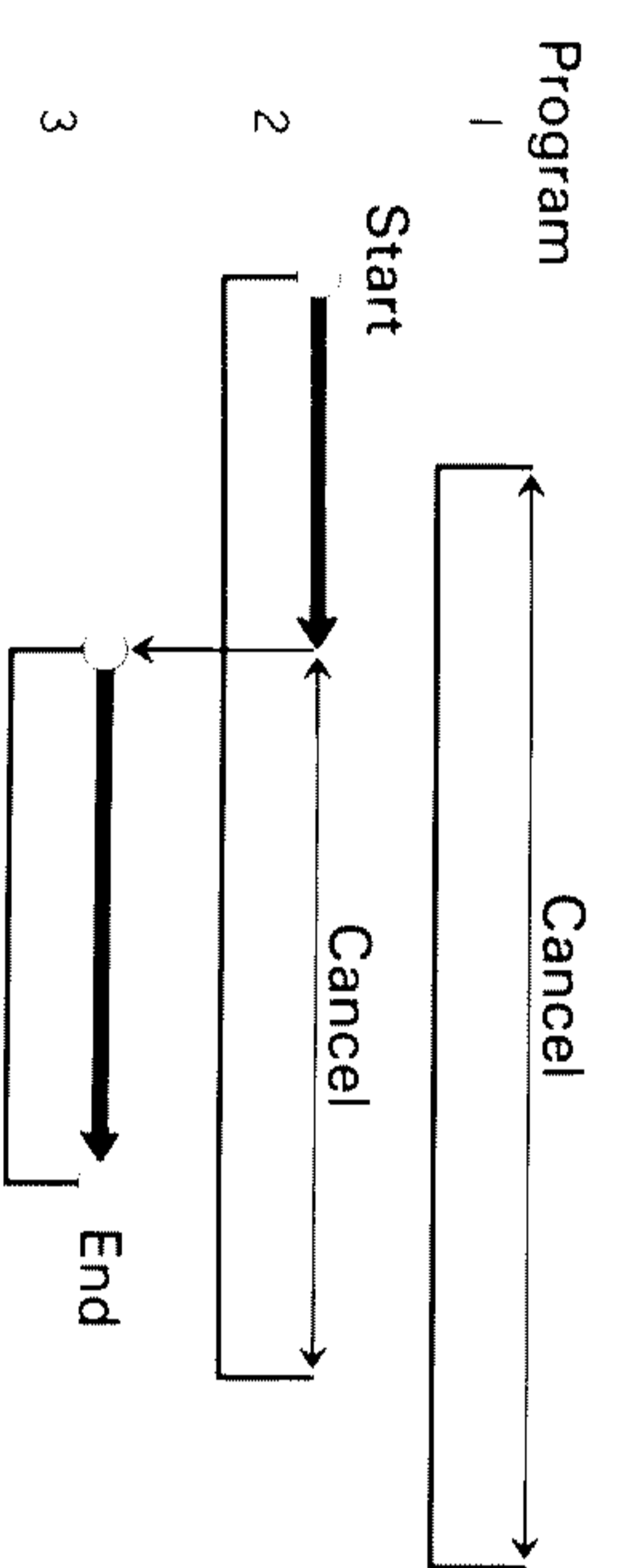
<When the program settings are registered within the same period>

- When the two or more program settings are to be started at the same time: The program having the least number is activated and others will be cancelled.
- When the setting time for two or more programs differ: First, the program with the earliest setting time is activated. Then, if the same mode (REC mode or PLAY mode) has been designated for the other program, the operation is changed to the program in which the same mode as the first one is designated and the end time for the above program will be cancelled. If another mode is set for of other programs, the contents will be cancelled.

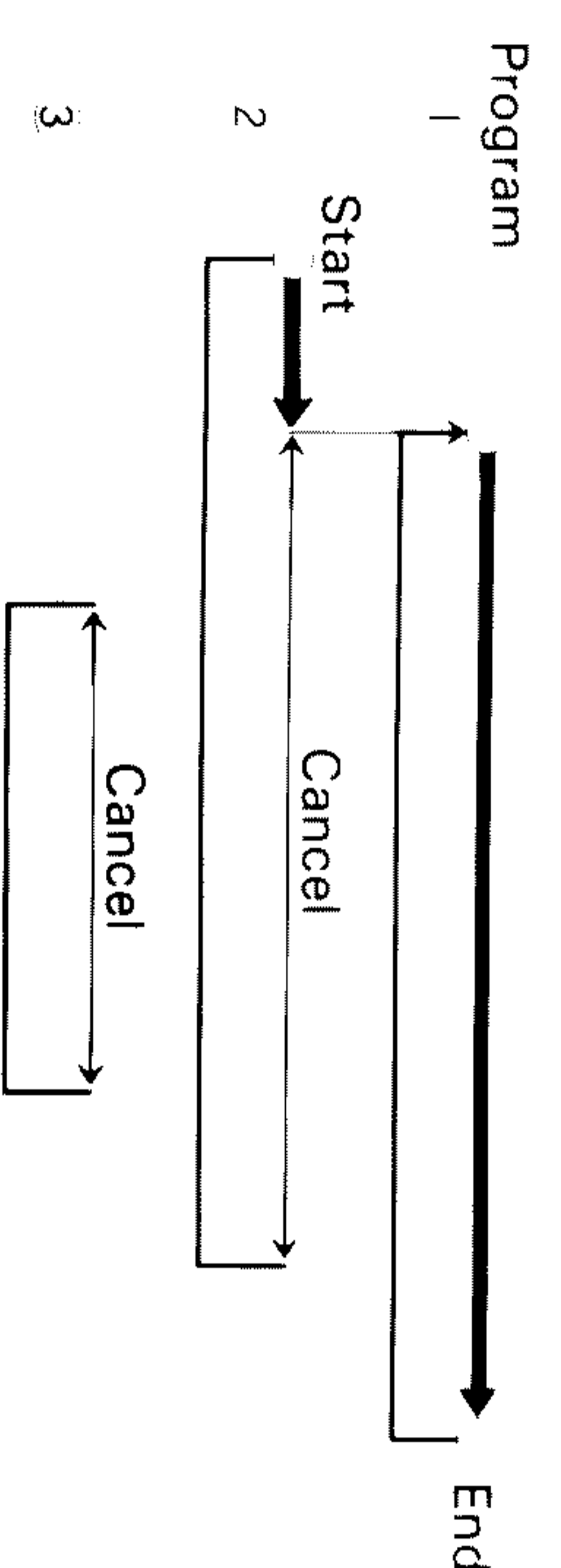
Example 1: When the operation modes for all three programs are set to PLAY:



Example 2: When the operation modes for programs ①, ② are set to PLAY and that for the program ③ is set to REC:



Example 3: When the operation mode for programs ①, ② are set to REC and that for program ③ is set to PLAY:



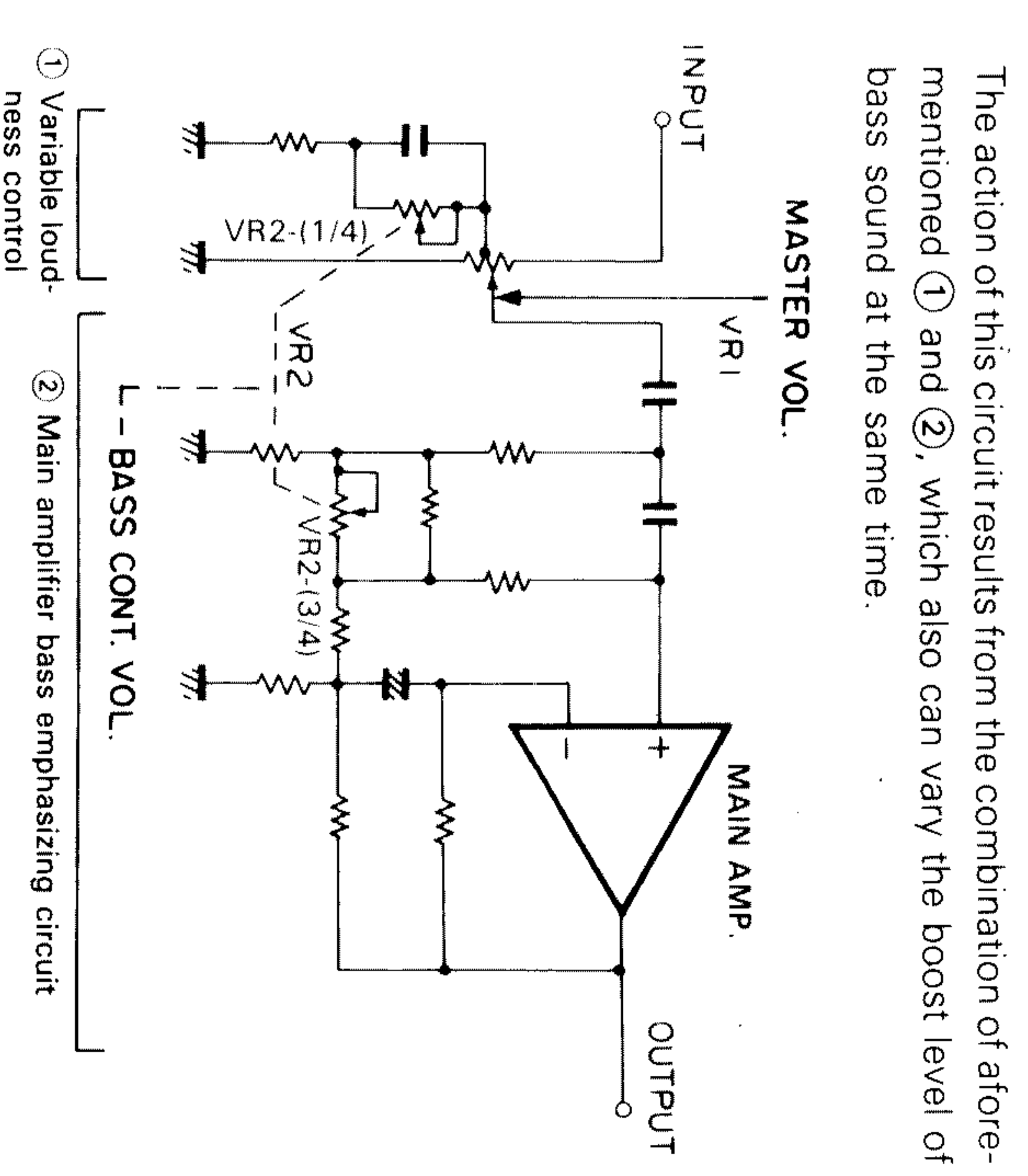
The program end is determined by the OFF time of the program which is activated at the last.

CIRCUIT DESCRIPTION

N.B. CIRCUIT (X09-3142-72 (B/5))

The N.B. of N.B. CIRCUIT stands for Natural Bass, and it is the circuit to create further natural bass sound.

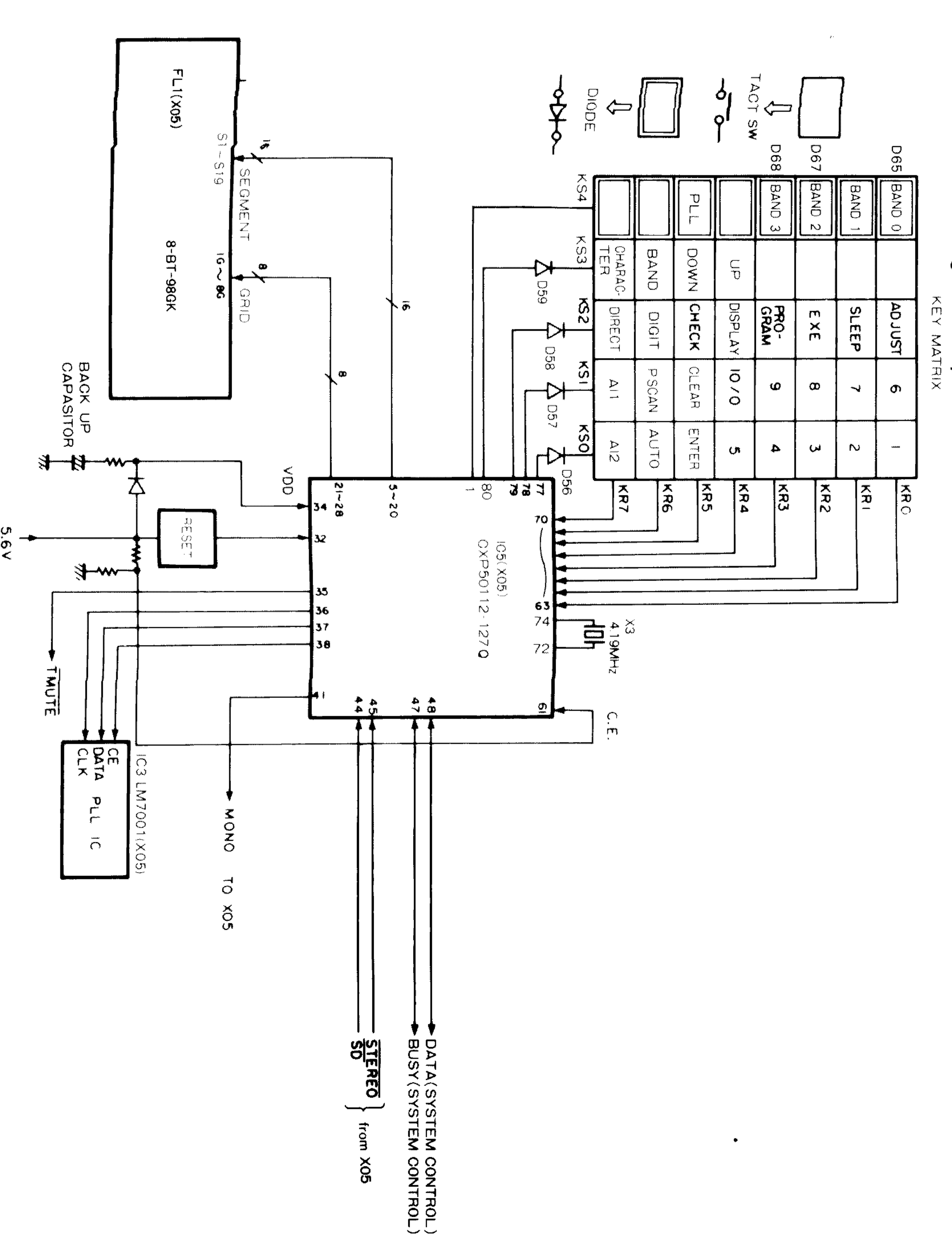
It is roughly composed of ① Variable loudness control and ② Main amplifier bass emphasizing circuit showed in the chart. The ① Variable loudness control in the chart has become able to vary the level of loudness control by mounting the traditional loudness control variable VR (VR2, 1/4) onto itself. The ② main amplifier bass emphasizing circuit can boost up the desired frequency with the fixed number of C.R. parts for input and returning C.R. parts of main amplifier. It has also become able to vary these boost levels by mounting VR2, (3/4) onto it. The fixed number of this A-911/911L has been set so as to boost up 60 Hz.



The action of this circuit results from the combination of aforementioned ① and ②, which also can vary the boost level of bass sound at the same time.

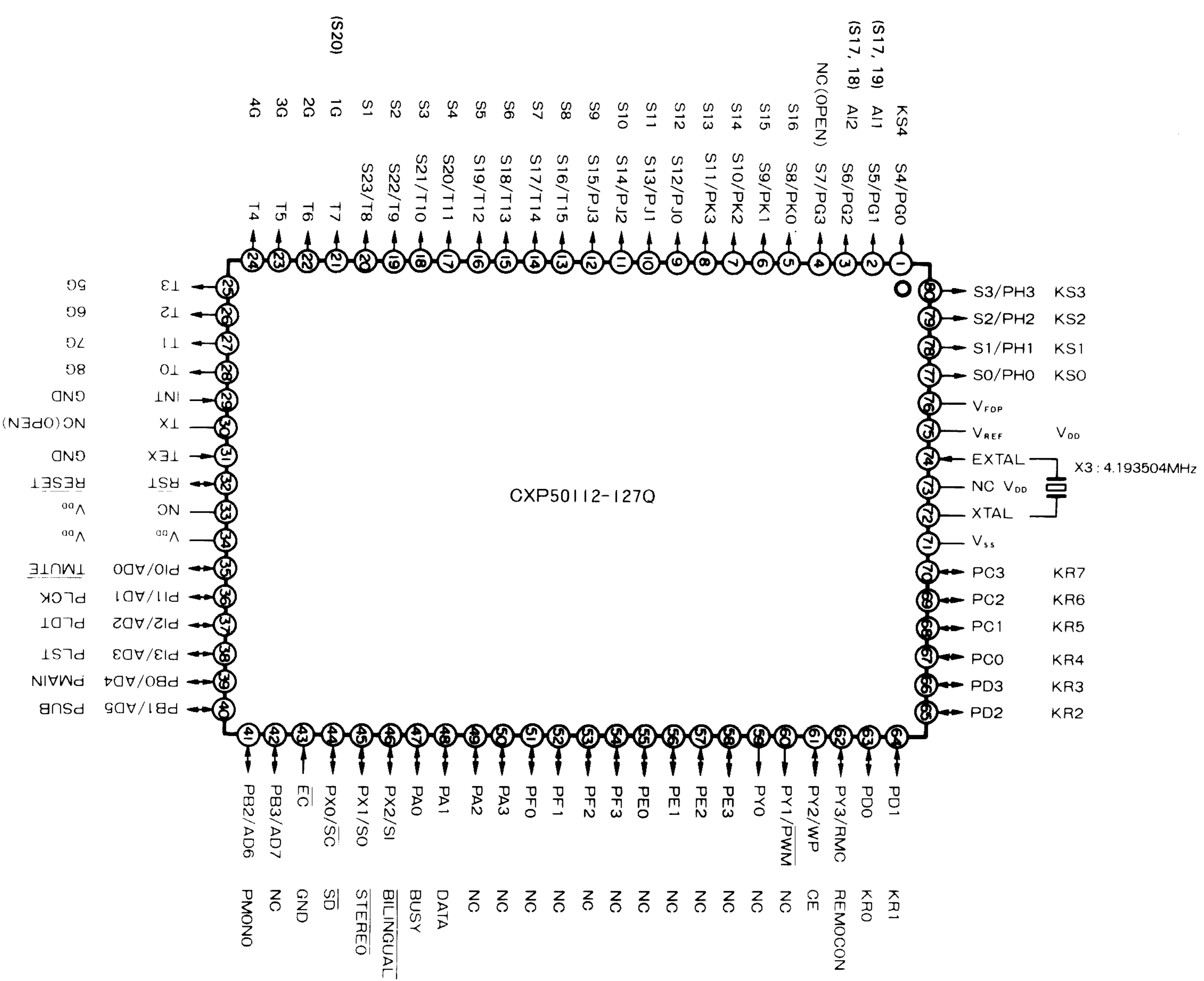
IC5: CXP50112-1270 (X05-3992-71) TUNER microprocessor

Terminal connection diagram & key matrix connection



CIRCUIT DESCRIPTION

Pin connections



CIRCUIT DESCRIPTION

Pin functions

Pin No.	Pin name	I/O	Symbol	Description
1	S4/P/G0	0	KS4	Key scan output
2	S5/P/G1	0	A11	A11 ON/OFF FL segment output (S17,19)
3	S6/P/G2	0	A12	A12 ON/OFF FL segment output (S17,18)
4	S7/P/G3		NC	
5	S8/P/K0	0	S8	FL segment output
6	S9/P/K1	0	S9	FL segment output
7	S10/P/K2	0	S10	FL segment output
8	S11/P/K3	0	S11	FL segment output
9	S12/P/J0	0	S12	FL segment output
10	S13/P/J1	0	S13	FL segment output
11	S14/P/J2	0	S14	FL segment output
12	S15/P/J3	0	S15	FL segment output
13	S16/T15	0	S16	FL segment output
14	S17/T14	0	S17	FL segment output
15	S18/T13	0	S18	FL segment output
16	S19/T12	0	S19	FL segment output
17	S20/T11	0	S20	FL segment output
18	S21/T10	0	S21	FL segment output
19	S22/T9	0	S22	FL segment output
20	S23/T8	0	S23	FL segment output
21	T7	0	T7	FL grid output
22	T6	0	T6	FL grid output
23	T5	0	T5	FL grid output
24	T4	0	T4	FL grid output
25	T3	0	T3	FL grid output
26	T2	0	T2	FL grid output
27	T1	0	T1	FL grid output
28	T0	0	T0	FL grid output
29	INT	1	INT	External interrupt pin ... unused
30	TX	0	TX	Timer oscillation pin ... unused
31	TEX	1	TEX	Timer oscillation pin ... unused
32	RST	1	RESET	Reset input
33	NC		NC	
34	VDD			Power supply pin
35	PI0/AD0	0	TMUTE	Mute output
36	PI1/AD1	0	PLCK	Clock to PLL or extension IC
37	PI2/AD2	0	PLDT	Data output to PLL or extension IC
38	PI3/AD3	0	PLST	Chip enable output for PLL
39	PB0/AD4	0	PMMAIN	TV sound MPX selection output
40	PB1/AD5	0	PSUB	TV sound MPX selection output
41	PB2/AD6	0	PMONO	Stereo/monaural selection
42	PB3/AD7	0	NC	
43	EC	1	EC	Event counter input ... unused
44	PX0/ISC	1	SD	Tuning signal input
45	PX1/SO	1	ST	Stereo signal input

CIRCUIT DESCRIPTION

CIRCUIT DESCRIPTION

Pin No.	Pin name	I/O	Symbol	Description
46	PX2/SI	I	BIL	Bilingual signal input H: NORMAL L: BILINGUAL
47	PA0	I/O	BUSY	System control busy
48	PA1	I/O	DATA	System control data
49	PA2	O	NC	
50	PA3	O	NC	
51	PF0	O	NC	
52	PF1	O	NC	
53	PF2	O	NC	
54	PF3	O	NC	
55	PE0	O	NC	
56	PE1	O	NC	
57	PE2	O	NC	
58	PE3	O	NC	
59	PV0	O	NC	
60	PY1/PWM	O	NC	
61	PY2/WP	I	CE	AC ON/OFF detection input H: ON L: OFF
62	PY3/RMC	I	RMCN	Remote control input
63	PDO	I	KR0	Key return input H: With input L: Without input
64	PD1	I	KR1	Key return input H: With input L: Without input
65	PD2	I	KR2	Key return input H: With input L: Without input
66	PD3	I	KR3	Key return input H: With input L: Without input
67	PC0	I	KR4	Key return input H: With input L: Without input
68	PC1	I	KR5	Key return input H: With input L: Without input
69	PC2	I	KR6	Key return input H: With input L: Without input
70	PC3	I	KR7	Key return input H: With input L: Without input
71	VSS			GND pin
72	XTAL	O	XTAL	For oscillator
73	NC			
74	EXTAL	I	EXTAL	For oscillator
75	VREF			For voltage detection reset... unused
76	VfDP		VfDP	FL terminal pull-down resistor power supply
77	SO/PH0	O	KS0	Key scan output H: ON L: OFF
78	S1/PH1	O	KS1	Key scan output H: ON L: OFF
79	S2/PH2	O	KS2	Key scan output H: ON L: OFF
80	S3/PH3	O	KS3	Key scan output H: ON L: OFF

Test mode

(1)Setting method

While pressing the "DOWN" key, insert the AC plug into the outlet and simultaneously touch off the key.

(2)Contents

POWER ON

FL all lit

Test Frequency Setting (Table 1)

(3)Clearing method

The FL all lit state is canceled due to ten keys, BAND key, UP/DOWN key or POWER key.

Setting of initial conditions (reset)

(1)Method

While pressing ENTER key, turn the AC ON.

(2)Contents

Clears all the memory and returns to the initial conditions. However, the test frequency is newly memorized in the preset memory at this time. (The same as when the backup data is NG.)

Destination	Band	Pch	J			T,E
			K,P,Y,M,X			
AM	1	76.0 MHz	87.5 MHz	87.5 MHz	87.5 MHz	
	2	78.0 MHz	89.1 MHz	89.1 MHz	89.1 MHz	
	3	80.0 MHz	90.0 MHz	90.0 MHz	90.0 MHz	
	4	82.0 MHz	92.0 MHz	92.0 MHz	92.0 MHz	
	5	83.0 MHz	94.0 MHz	94.0 MHz	94.0 MHz	
	6	83.5 MHz	98.0 MHz	98.0 MHz	98.0 MHz	
	7	86.0 MHz	100.1 MHz	100.1 MHz	100.1 MHz	
	8	88.0 MHz	102.0 MHz	102.0 MHz	102.0 MHz	
	9	89.1 MHz	106.0 MHz	106.0 MHz	106.0 MHz	
	10	90.0 MHz	108.0 MHz	108.0 MHz	108.0 MHz	
TV/LW	1	531 KHz	530 KHz	531 KHz	531 KHz	
	2	630 KHz	630 KHz	630 KHz	630 KHz	
	3	990 KHz	990 KHz	990 KHz	990 KHz	
	4	1440 KHz	1440 KHz	1440 KHz	1440 KHz	
	5	1602 KHz	1610 KHz	1602 KHz	1602 KHz	
	6	—	(1700 KHz)	—	—	
	1	1ch	—	153 KHz	153 KHz	
	2	3ch	—	162 KHz	162 KHz	
3	4ch	—	216 KHz	216 KHz		
4	8ch	—	270 KHz	270 KHz		
5	12ch	—	281 KHz	281 KHz		
6	13ch	—	—	—		
7	35ch	—	—	—		
8	62ch	—	—	—		

Conditions by destination

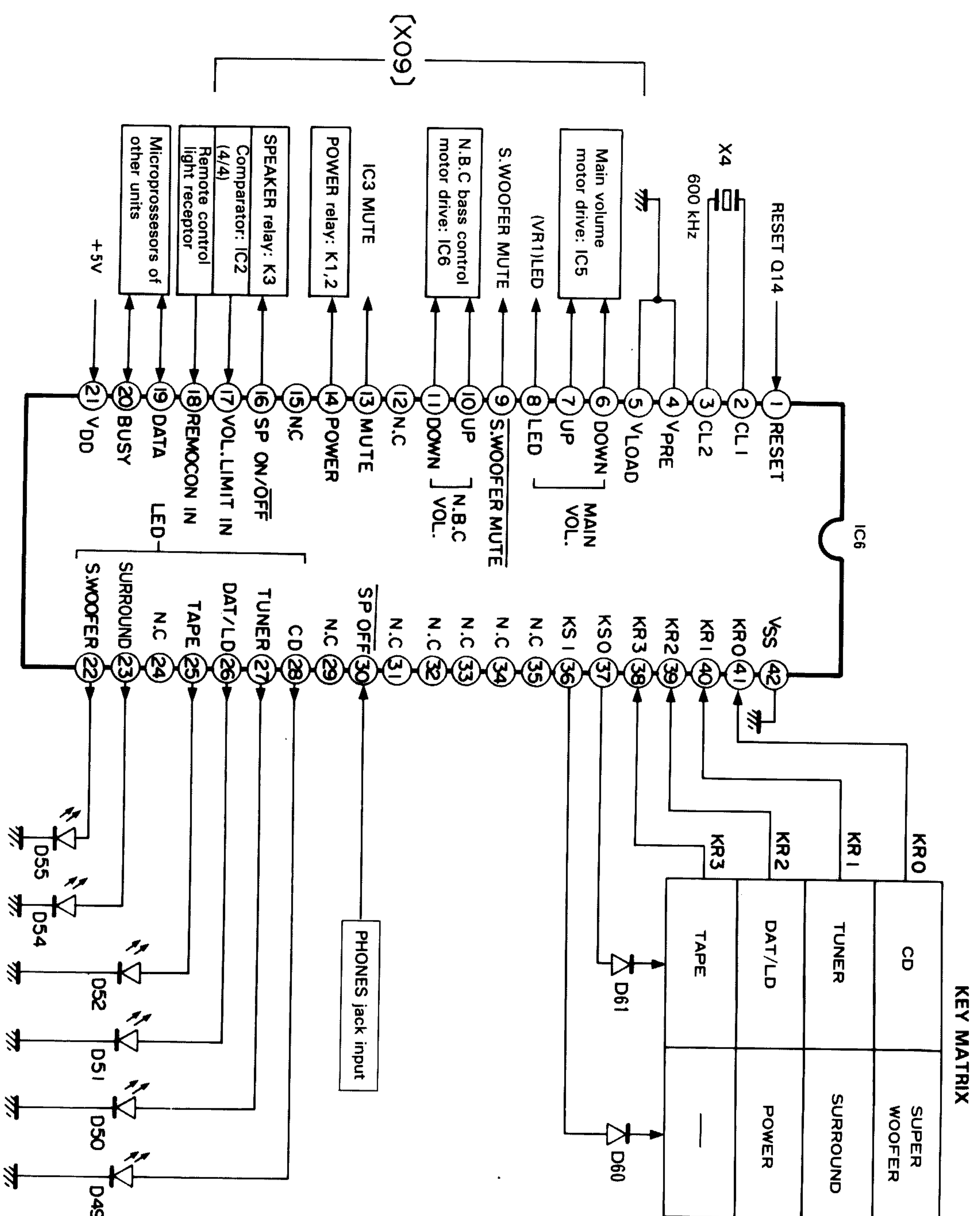
(Table 1)

Destination type	Destination switches				Band	Receiving frequency range	Inter-channel space	Intermediate frequency	PLL reference frequency
	B3	B2	B1	B0					
J	0	0	0	0	FM	76.0~90.0 MHz	100 KHz	-10.75 MHz	25 KHz
					AM	531~1602 KHz	9 KHz	+450 KHz	9 KHz
M,Y	1	1 or 0	0	0	TV	1~62ch	6 MHz	-10.75 MHz	25 KHz
					FM	87.5~108.0 MHz	100 KHz /50 KHz	+10.7 MHz	50 KHz (25 KHz)
AM	531~1602 KHz	/530~1610 KHz	9 KHz	/10 KHz	AM	530~1610 KHz	10 KHz	+450 KHz	10 KHz
					FM	87.5~108.0 MHz	100 KHz	+10.7 MHz	50 KHz (25KHz)
K,P	1	0	0	0	AM	530~1610 KHz	10 KHz	+450 KHz	10 KHz
					FM	87.5~108.0 MHz	50 KHz	+10.7 MHz	50 KHz (25KHz)
X	1	1	0	0	AM	531~1602 KHz	9 KHz	+450 KHz	9 KHz
					FM	87.5~108.0 MHz	50 KHz	+10.7 MHz	50 KHz (25KHz)
T,E	1	1	0	1	MW	531~1602 KHz	9 KHz	+450 KHz	9 KHz
					LM	153~281 KHz	1 KHz	+450 KHz	1 KHz

(1: With diode, 0: Without diode)

IC6: μ PD7538ACU-232 (X05-3992-71)
AMP. microprocessor

Terminal connection diagram & key matrix connection



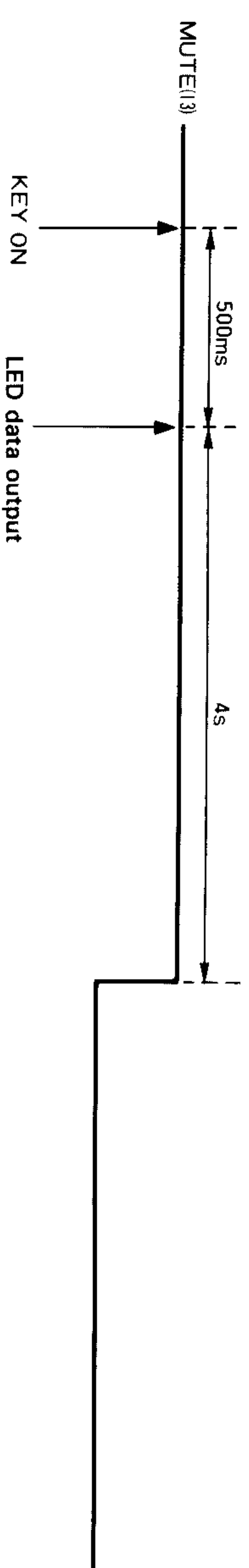
KEY MATRIX

Pin functions

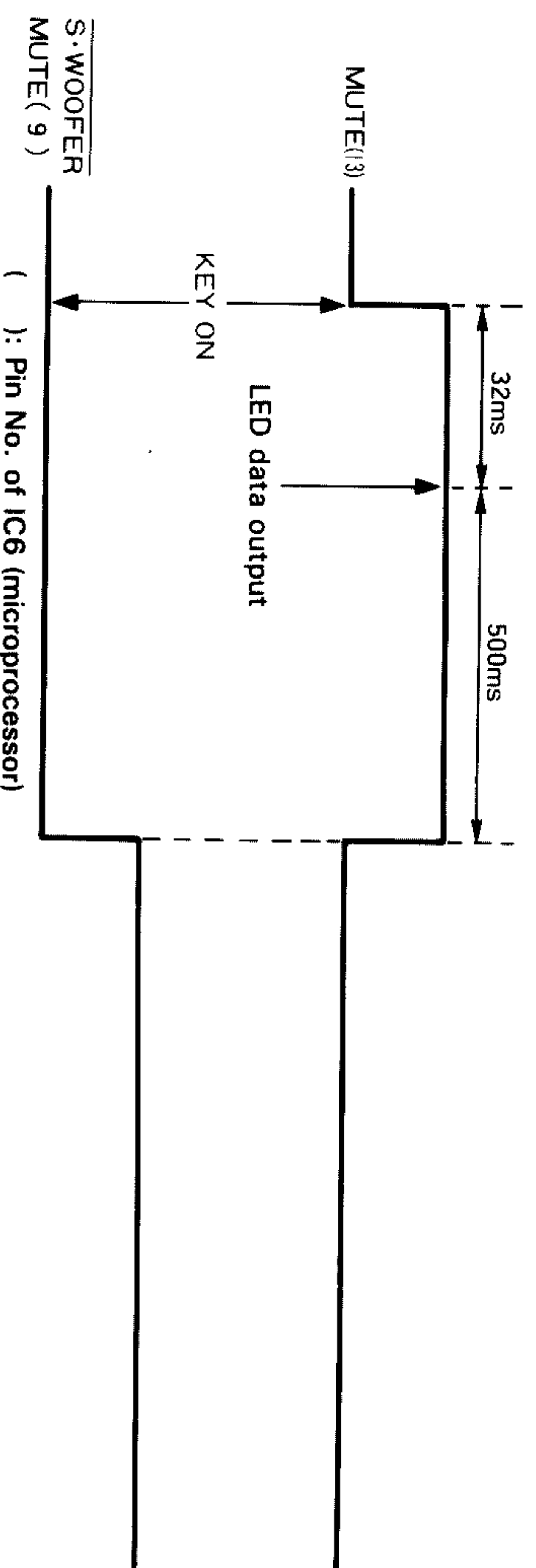
Pin No.	Pin name	I/O	Symbol	Description
1	RESET	I	RESET	Reset input (H: Reset)
2	CL1	-	-	System clock terminal
3	CL2	-	-	System clock terminal
4	VPRE	-	-	No use. (GND)
5	VLOAD	-	-	No use. (GND)
6	PS3	0	VOL. DOWN	Motor volume down drive
7	PS2	0	VOL. UP	Motor volume up drive
8	PS1	0	VOL. LED	Volume indicator LED drive
9	PS0	0	S.WOOFER	Super woofer mute
10	P23	0	BASS UP	N.B. circuit volume up drive
11	P22	0	BASS DOWN	N.B. circuit volume down drive
12	P21/PTOUT	-	-	No use. (OPEN)
13	P103	0	MUTE	Mute
14	P102	0	POWER	Power relay drive
15	P101	-	-	No use. (GND)
16	P100	0	SP ON/OFF	Speaker ON/OFF conversion
17	P113	I	VOL LIMIT IN	Volume position detection input
18	P112	I	REMOCON IN	Remote control input
19	P111	I/O	DATA	Serial data input/output
20	P110	I/O	BUSY	Serial busy input/output
21	VDD	-	-	Power supply pin
22	P93	0	S.WOOFER	Super woofer LED drive
23	P92	0	SURROUND	Surround ON/OFF and LED drive
24	P91	-	-	No use. (OPEN)
25	P90	0	TAPE	TAPE LED drive
26	P83	0	DAT/LD	DAT/LD LED drive
27	P82	0	TUNER	TUNER LED drive
28	P81	0	CD	CD LED drive
29	P80	-	-	No use. (OPEN)
30	P43	I	SP OFF	Speaker OFF detection input
31	P42	-	-	No use. (GND)
32	P41	-	-	No use. (GND)
33	P40	-	-	No use. (GND)
34	P33	-	-	No use. (OPEN)
35	P32	-	-	No use. (OPEN)
36	P31	0	KS1	Key scan output signal 1
37	P30	0	KS0	Key scan output signal 0
38	P03/SI	I	KR3	Key return input signal 3
39	P02/SO	I	KR2	Key return input signal 2
40	P01/SCK	I	KR1	Key return input signal 1
41	P00/INTO	I	KR0	Key return input signal 0
42	VSS	-	-	GND pin

*Turn SP OFF when "L" signal is input.

Timing chart
(1) POWER KEY ON



(2) SELECTOR, SURROUND, SUPER WOOFER KEY ON



* When the switching of POWER ON/OFF or selector is executed in the condition of SUPER WOOFER ON, S-WOOFER MUTE will have the same timing as MUTE (The logic is reverse).

Test mode

a) Setting method

While pressing the "CD" key and tuning "DOWN" key, insert the AC plug into the outlet and simultaneously touch off the key, then the amplifier and tuner simultaneously enter the TEST MODE. When you wish to enter only the amplifier into the TEST MODE, pull out the AC plug from the outlet in the POWER ON condition and insert the AC plug into the outlet while pressing the "CD" key.

b) Clearing method

In order to simultaneously clear the amplifier and tuner, press either the ten keys, "BAND" key or "UP/DOWN" key.

In order to clear the amplifier, press either "TUNER" key or pull out the AC from the outlet. In order to clear the tuner, refer to the tuner microprocessor (page. 21).

c) Contents of operation

- ① POWER is turned ON and all the LEDs are lit on.
- ② By pressing "S-WOOFER", both the VOLUME and N.B. CIRCUIT are simultaneously up, and remain to be UP for 12 seconds. Then, they go DOWN and STOPS after about 12 seconds.
- ③ Even if the "CD", "TAPE", "DAT/LD", "SURROUND" and "POWER" keys are pressed, they are not accepted.

Item	Condition
INPUT	TUNER
SURROUND	OFF
SUPER WOOFER	OFF
POWER	OFF (STAND BY)
MUTE	ON
MOTOR VOLUME CONTROL	OFF
LED	OUT LIGHTS

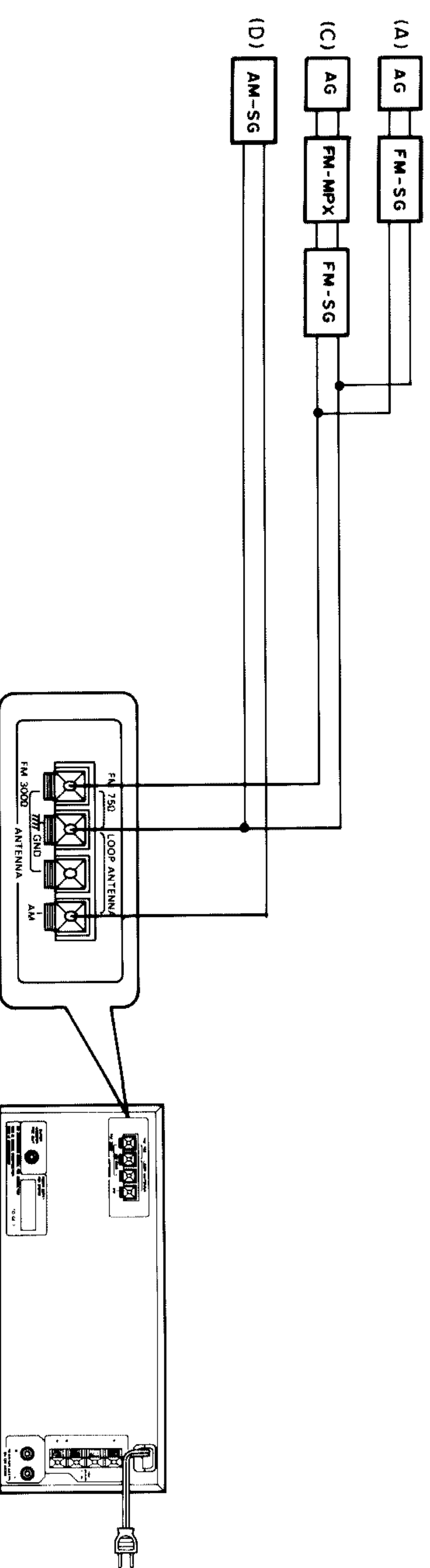
Initialization: Pull the AC plug from the outlet and then insert again.

Tuner unit

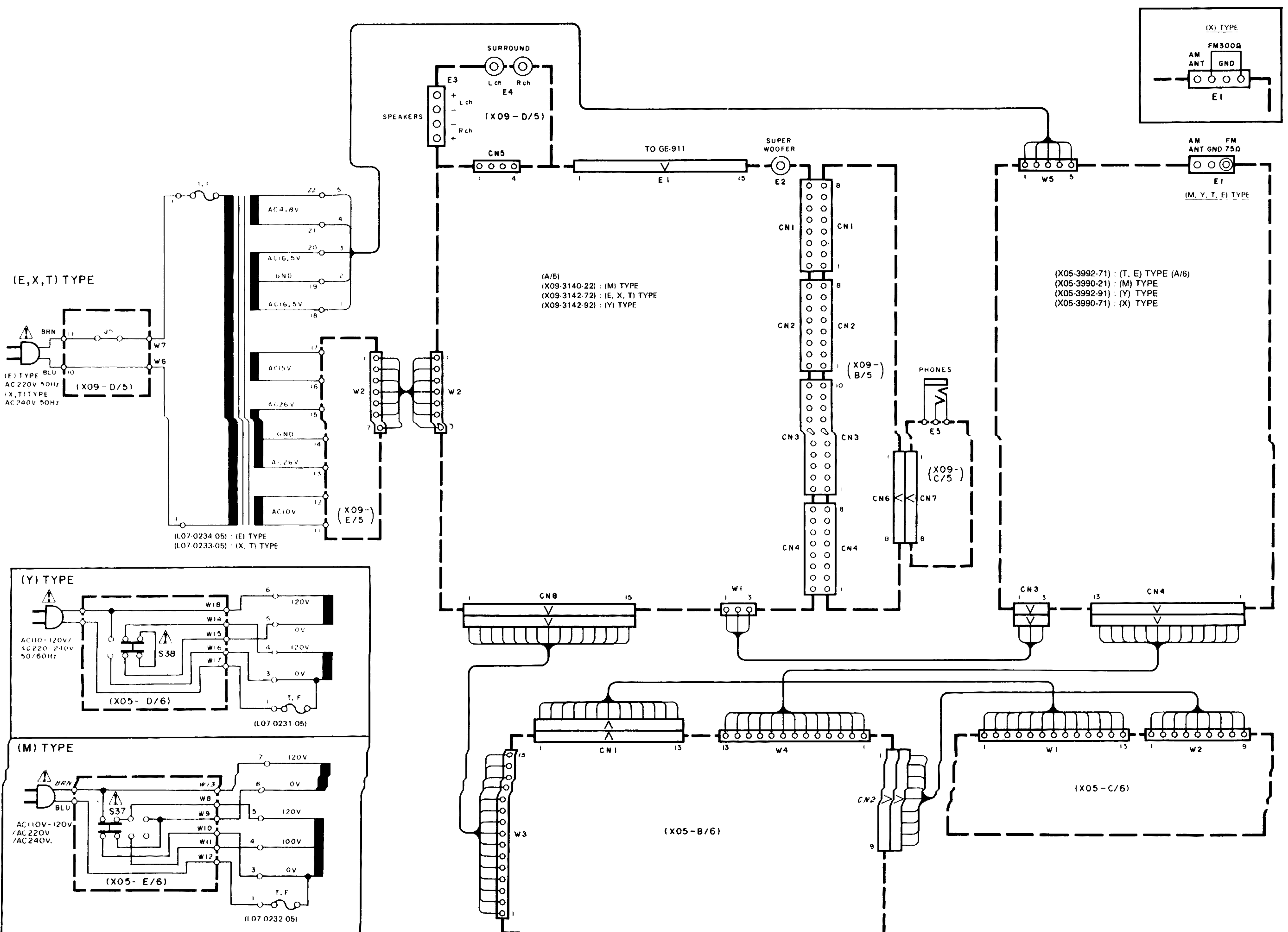
If alignment point is "...", confirm the value.
If not, replace the frontend pack and IC(X05-FLL).

No.	ITEM	INPUT SETTINGS	OUTPUT SETTINGS	TUNER SETTINGS	ALIGNMENT POINTS	ALIGN FOR	FIG.
1	BAND EDGE (1)	-	Connect a DC voltmeter between TP10(VT) and TP13(GND)	87.5MHz	-	1.6V	(a)
2	BAND EDGE (2)	-	Connect a DC voltmeter between TP10(VT) and TP13(GND)	108.0MHz	-	8.0V	(a)
3	DISCRIMINATOR	(A) 98.0MHz 1kHz: ±75MHz dev 60dBc(Ant input)	Connect a DC voltmeter between TP11 and TP12.	AUTO or MONO 98.0MHz	L5 (X05-)	0V	(b)
4	VCO	(C) 98.0MHz 0 dev 100dBc(Ant input)	Connect a frequency counter between TP5 and GND.	AUTO 98MHz	VR2 (X03-)	19.00kHz	(c)
5	DISTORTION (STEREO)	(C) 98.0MHz 1kHz: ±68.25kHz dev Pilot: ±6.75MHz dev 60dBc(Ant input)	(d)	98.0MHz	IFT (X02-)	Minimum distortion.	
6	SEPARATION (E.T type only)	(A) 98.0MHz Stereo signal 60dBc(Ant input)	(d)	AUTO 98.0MHz	VR3 (X05-)	Minimum crosstalk.	
7	TUNING LEVEL	(A) 98.0MHz 0 dev 14dBc(Ant input) 750	(d)	AUTO or MONO 98.0MHz	VR1 (X05-)	Adjust VR1 and stop at the point where FLI(TUNED) goes on.	
AM - MW SELECTION							
(1)	BAND EDGE (1)	-	Connect a DC voltmeter between TP10(VT) and TP13(GND)	530kHz (531kHz)	-	1.3V	(a)
(2)	BAND EDGE (2)	-	Connect a DC voltmeter between TP10(VT) and TP13(GND)	1610kHz (1602kHz)	-	7.0V	(a)
(3)	RF ALIGNMENT	(D) 990kHz 400Hz: 30% mod 24dBc(Ant input)	(d)	990kHz	L2 BLACK (X05-)	Maximum amplitude and symmetry of the oscilloscope display.	
AM - LW SELECTION (E.T type only)							
(4)	BAND EDGE (1)	-	Connect a DC voltmeter between TP10(VT) and TP13(GND)	153kHz	-	2.3V	(a)
(5)	BAND EDGE (2)	-	Connect a DC voltmeter between TP10(VT) and TP13(GND)	281kHz	-	7.0V	(a)
Repeat alignments (4) and (5) several times.							
(6)	RF ALIGNMENT	(D) 216kHz 400Hz: 30% mod 32dBc(Ant input)	(d)	216kHz	L3 BLACK (X05-)	Maximum amplitude and symmetry of the oscilloscope display.	

Connection



WIRING DIAGRAM



PARTS LIST

* New Parts
 Parts without Parts No. are not supplied.
 Les articles non mentionnés dans le Parts No. ne sont pas fournis.
 Teile ohne Parts No. werden nicht geliefert.

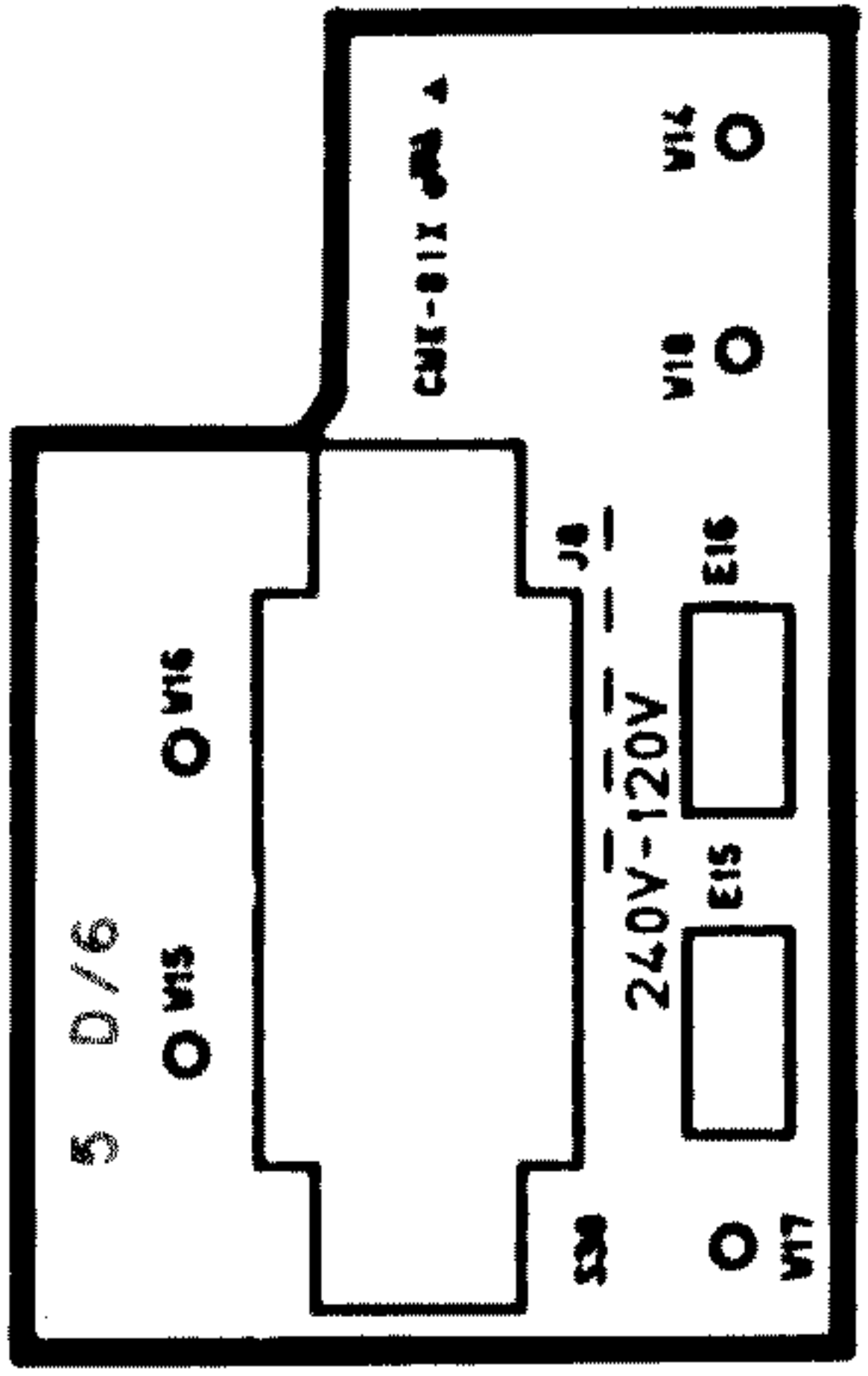
Ref. No. 参照番号	Address 位置	New Parts 新品	Parts No. 部品番号	Description 部品名 / 規格	Desti- nation 向	Re- marks 備考
Q56 Q56 Q57			2SC1740S(Q,R) 2SC945(A)(Q,P) 2SD1266(Q,P)	TRANSISTOR TRANSISTOR TRANSISTOR		

E: Scandinavia & Europe K: USA P: Canada W: Europe
 Y: PK(Far East, Hawaii) T: England M: Other Areas
 Y: AAFES(Europe) X: Australia

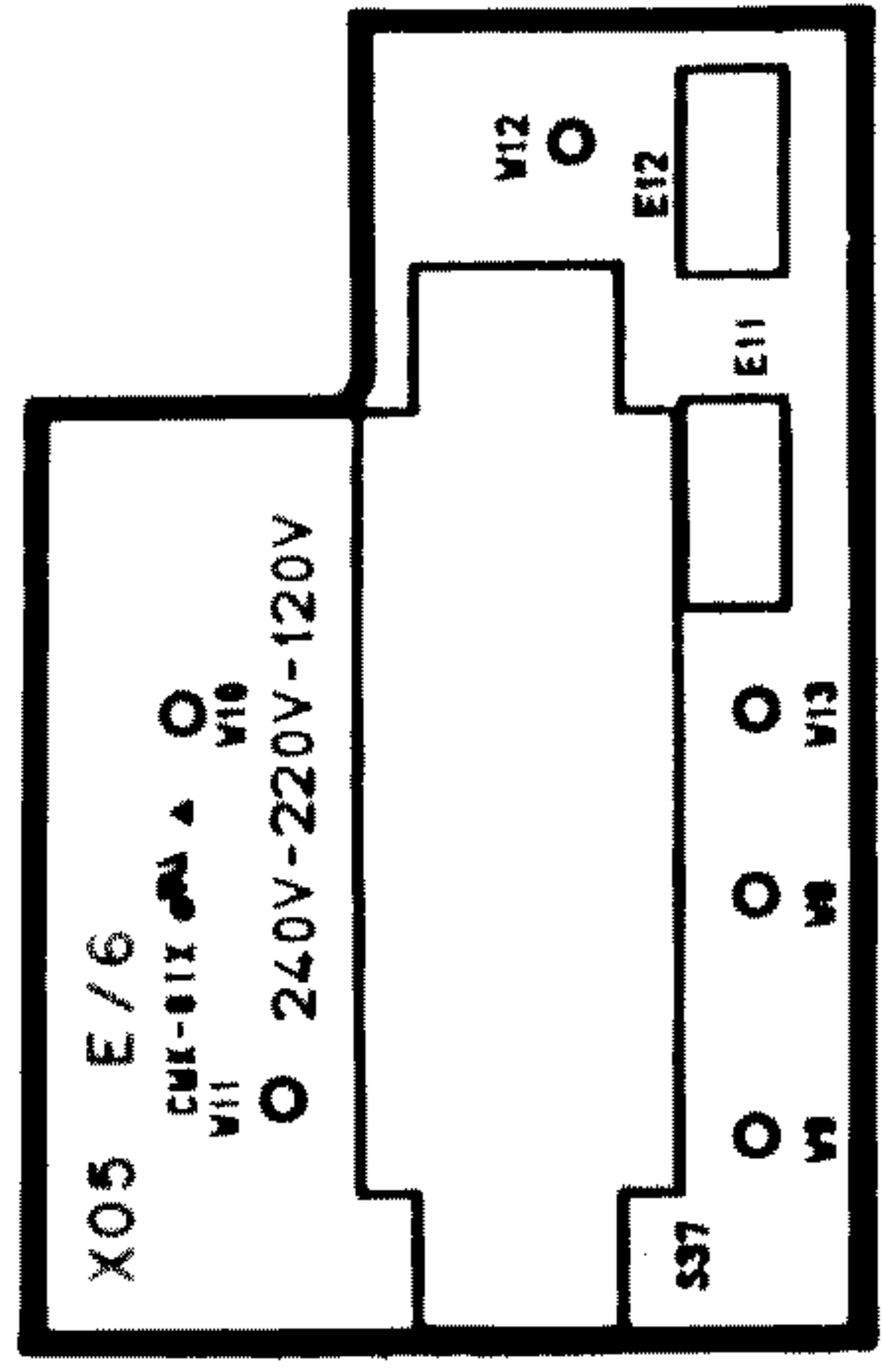
△ indicates safety critical components.

PC BOARD (Component side view)

(Y)TYPE



(M)TYPE



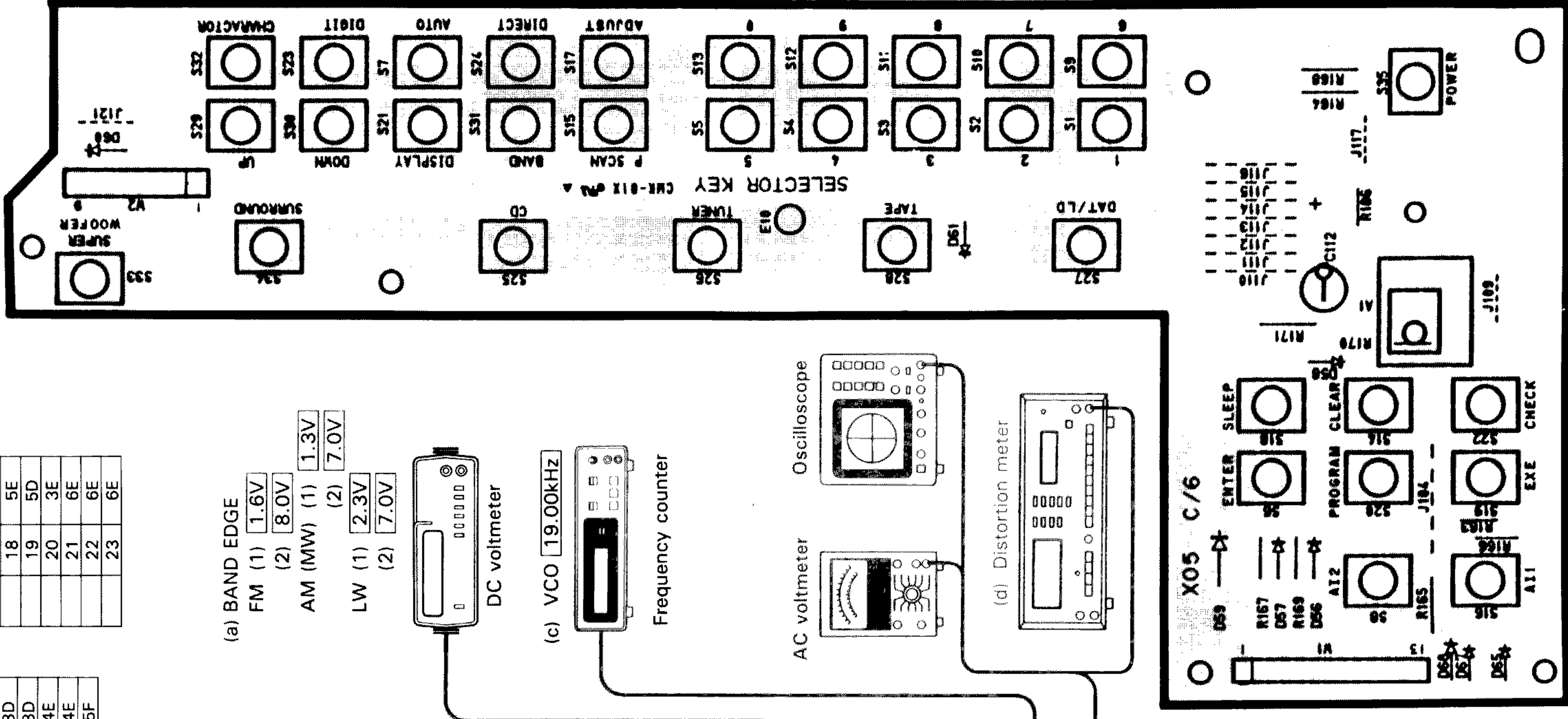
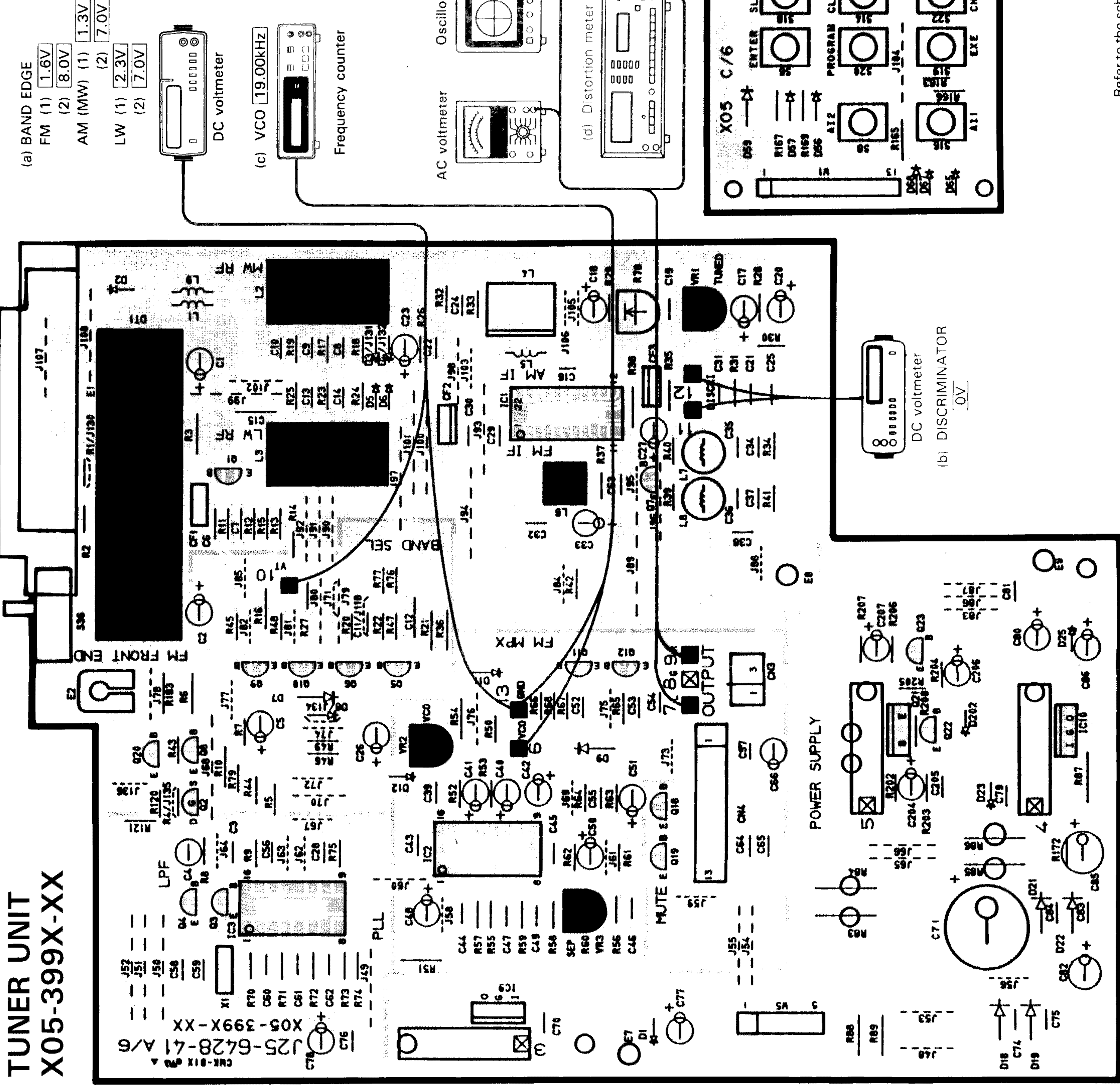
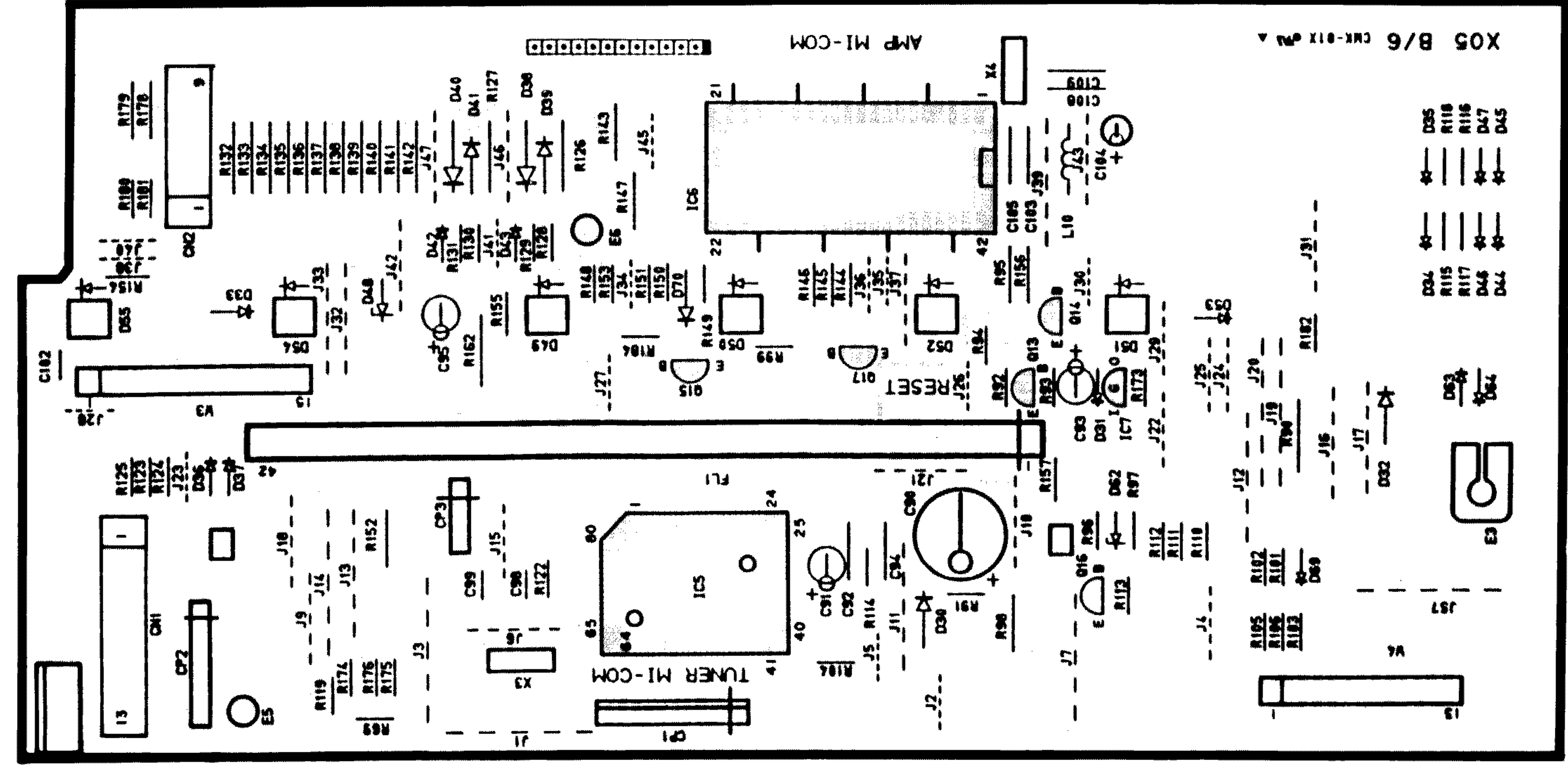
TUNER UNIT (X05-399X-XX)

Ref. No.	Address
1	5F
2	3E
3	4D
4	4E
5	5E
6	5C
7	6B
8	6A
9	7E
10	3F
11	5B
12	5A
13	6D
14	6C
15	7F
16	6B
17	5B
18	5D
19	5D
20	3E
21	6E
22	6E
23	6E

Ref. No.	Address
1	3E
2	4E
3	4E
4	5E
5	5E
6	5C
7	6B
8	6A
9	7E
10	3F
11	5B
12	5A
13	6D
14	6C
15	7F
16	6B
17	5B
18	5D
19	5D
20	3E
21	6E
22	6E
23	6E

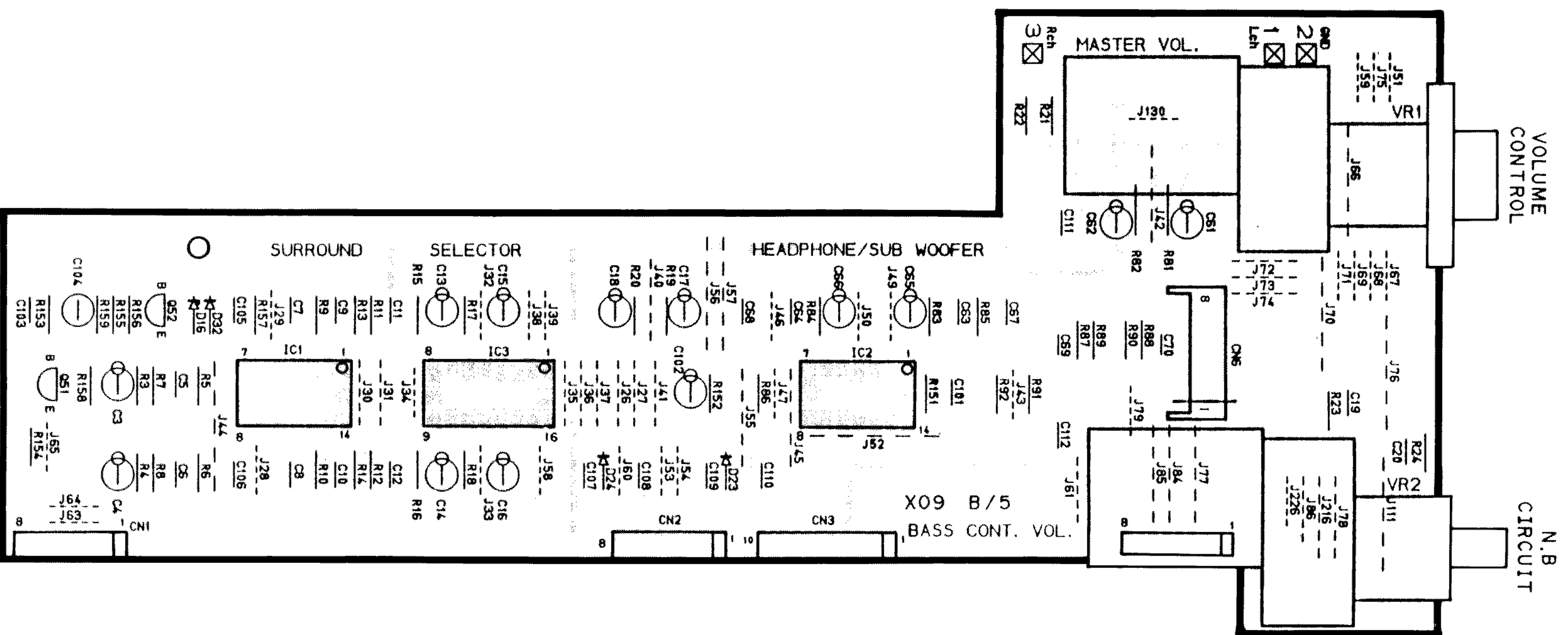
DE EMPHASIS
CH. SPACE
60μ 50KHZ
75μ 100KHZ
100KHZ 9KHZ

TUNER UNIT X05-399X-XX

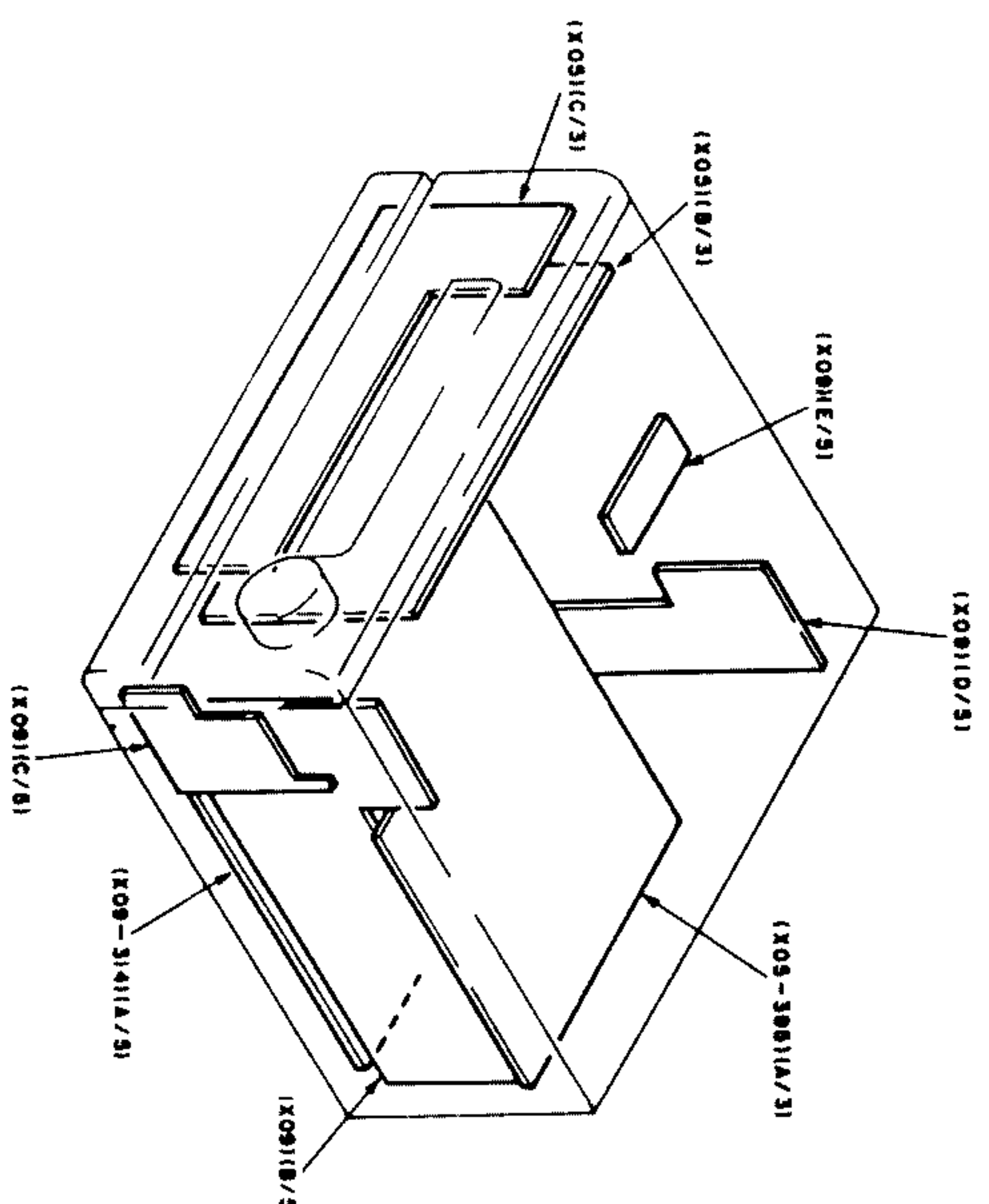
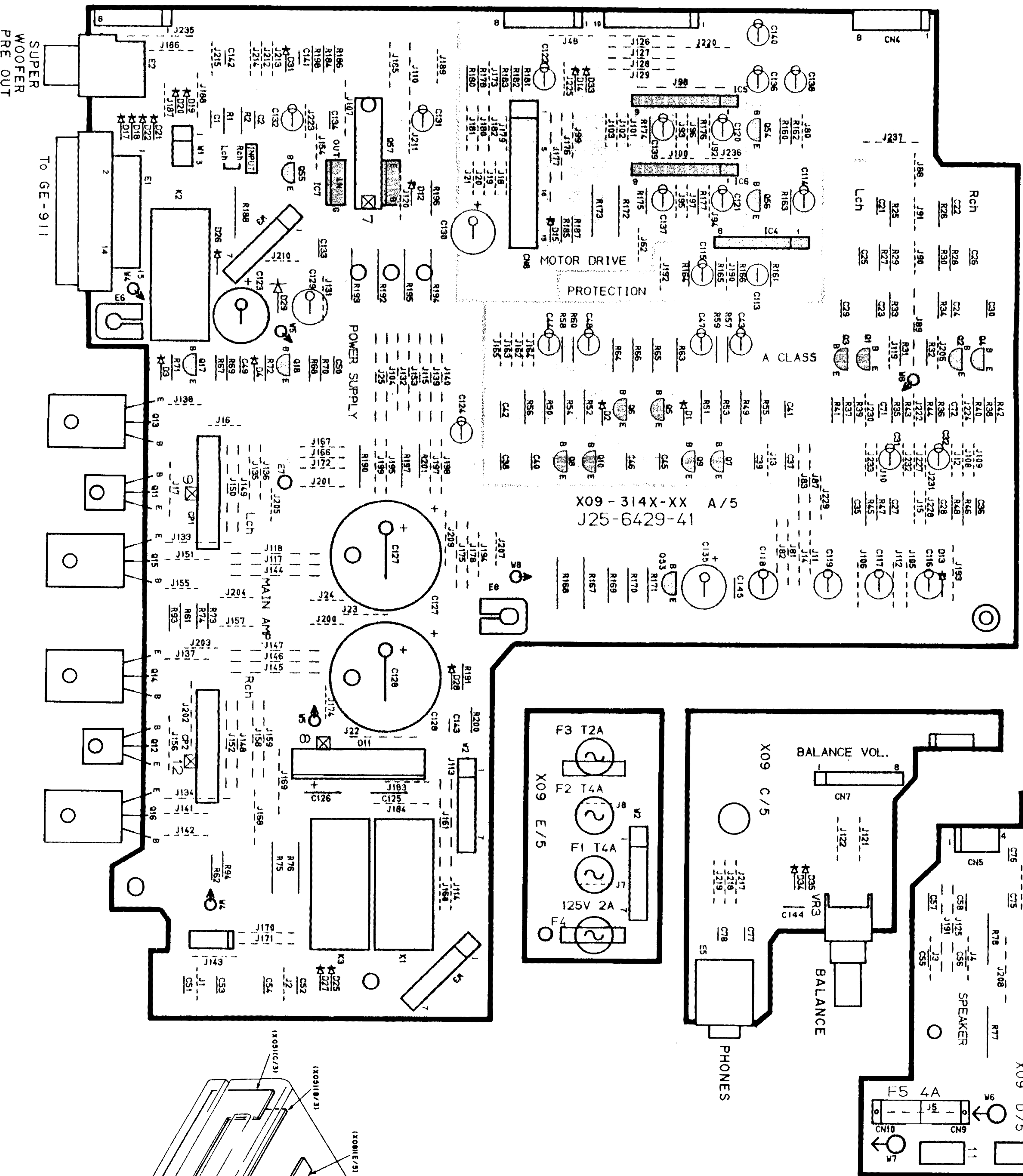


- (a) BAND EDGE
FM (1) 1.6V
(2) 8.0V
AM (MW) (1) 1.3V
(2) 7.0V
- (b) DISCRIMINATOR
DC voltmeter
OV
- (c) VCO 19.00KHZ
DC voltmeter
Frequency counter
- (d) Distortion meter
AC voltmeter
Oscilloscope

PC BOARD (Component side view)



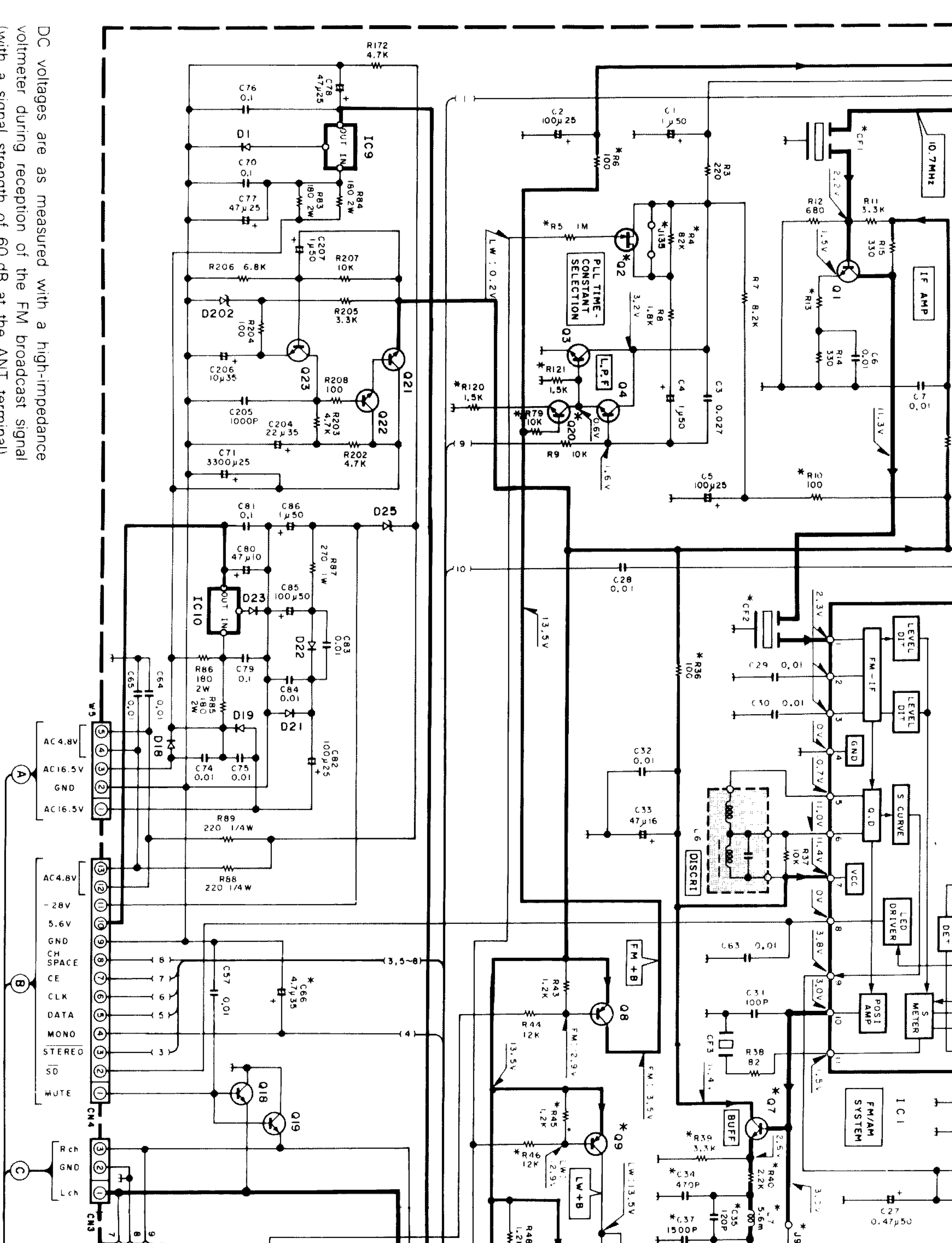
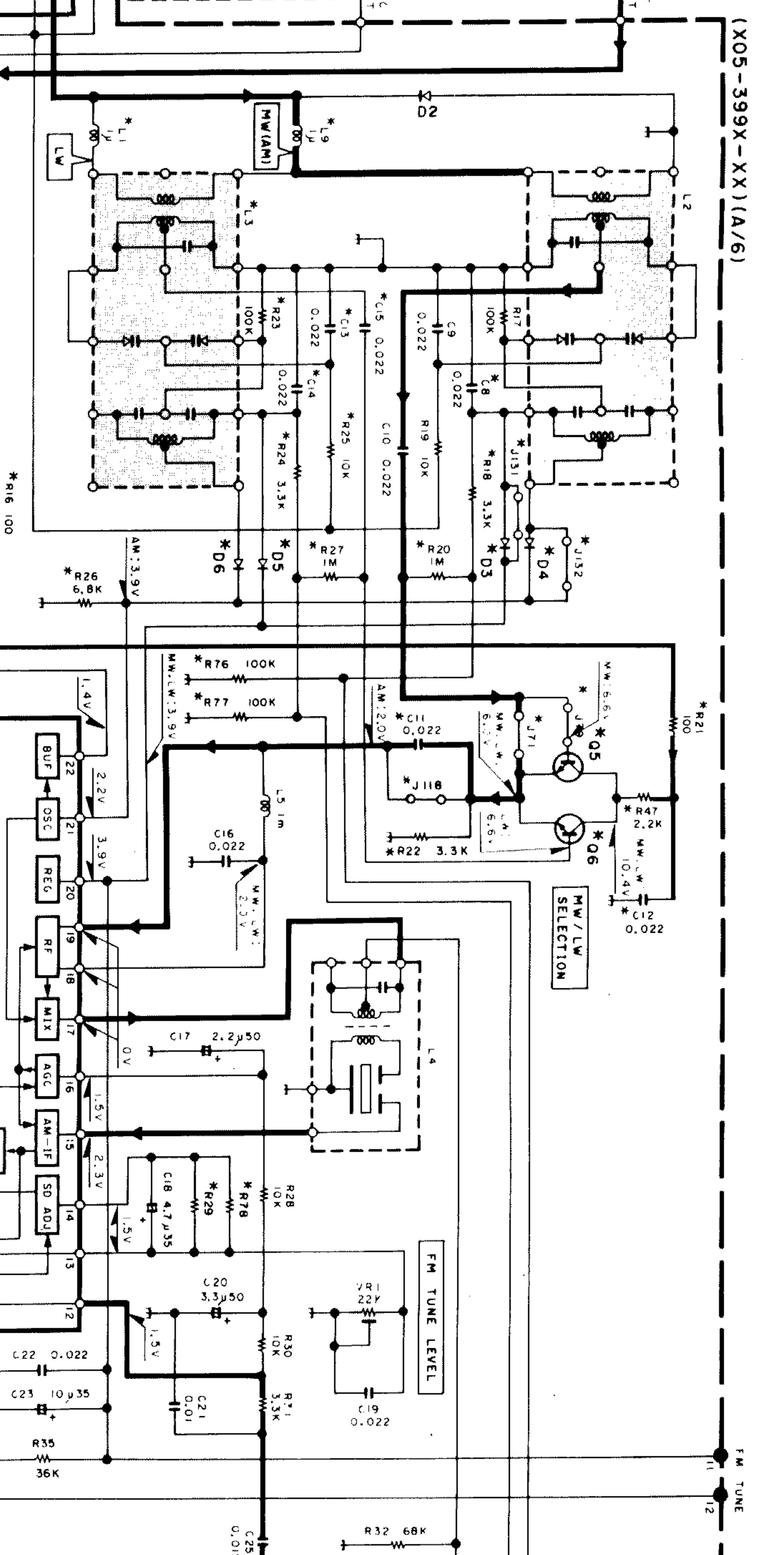
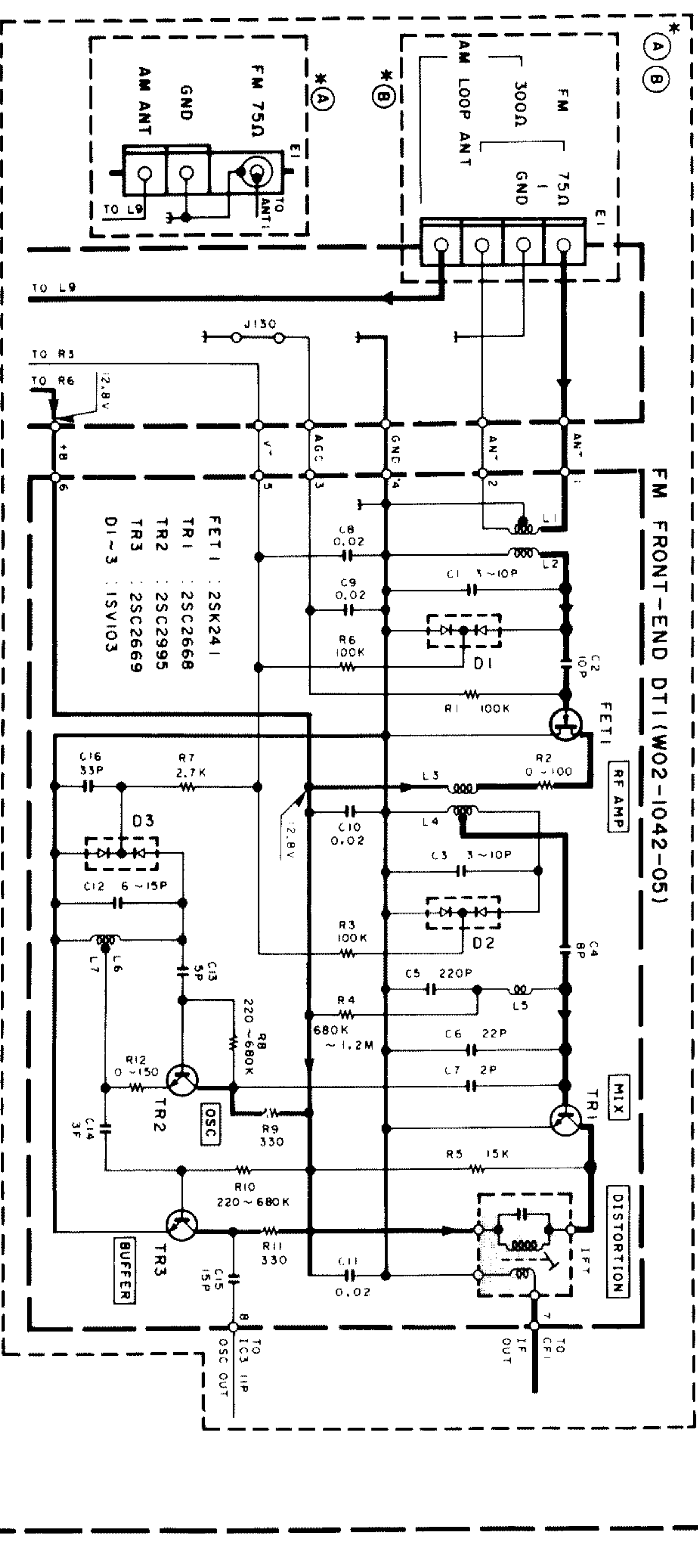
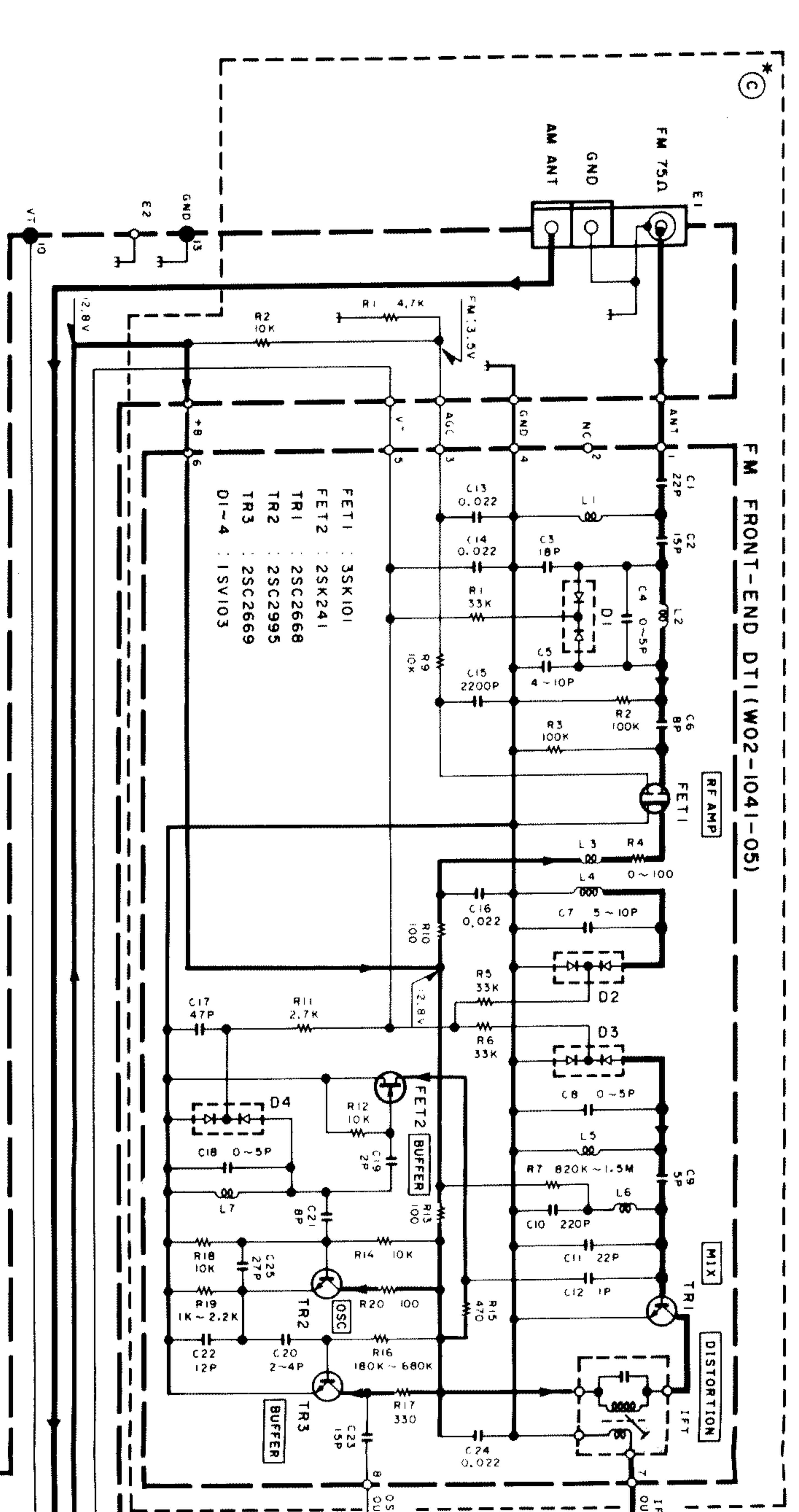
AUDIO UNIT X09-314X-XX



AUDIO UNIT
(X09-314X-XX)

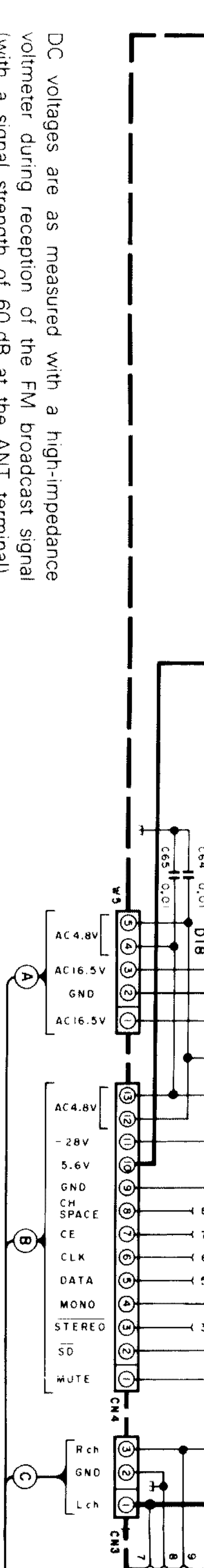
Ref. No.	Address
1	5K
2	4K
3	5K
4	3M
5	4M
6	3M
7	5M
8	3M
9	4N
10	3N
11	4N
12	6P
13	6N
14	6N
15	6P
16	6P
17	6N
18	5N
51	6K
52	6K
53	4O
54	3M
55	5M
56	3M
57	5M

Refer to the schematic diagram for the values of resistors and capacitors.



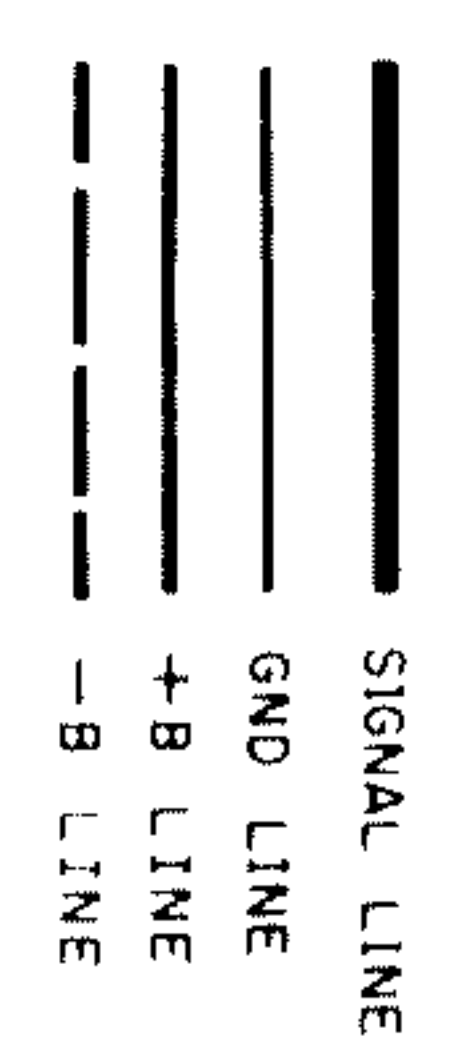
DESTINATION	UNIT NAME	(A)	(B)	(C)	(D)	(E)	(F)	(G)	(H)	(I)	(J)	(K)	(L)	(M)	(N)	(O)	(P)	(Q)	(R)	(S)	(T)	(U)	(V)	(W)	(X)	(Y)	(Z)
ENGLAND	T	X05-3992-71	NO	NO	YES	YES	YES	YES	YES	YES	YES	YES	YES	YES	YES	YES	YES	YES	YES	YES	YES	YES	YES	YES	YES	YES	YES
AUSTRALIA	X	X05-3990-71	YES	NO	NO	NO	NO	NO	NO	NO	NO	NO	NO	NO	NO	NO	NO	NO	NO	NO	NO	NO	NO	NO	NO	NO	NO
GENERAL MARKET	M	X05-3990-21	NO	YES	NO	YES	YES	YES	YES	YES	YES	YES	YES	YES	YES	YES	YES	YES	YES	YES	YES	YES	YES	YES	YES	YES	YES
PK	I	X05-3992-51	NO	YES	NO	YES	YES	YES	YES	YES	YES	YES	YES	YES	YES	YES	YES	YES	YES	YES	YES	YES	YES	YES	YES	YES	YES

DB	CF1,2	VR3	S36	96.1/8	J71	J79	R29	R76	66.1/0.6/36	R31	MODEL NAME	
YES	L72-0536-05	YES	NO	NO	YES	2.2K	11K	00	1/4W	50	1/4W	A-911L
J134	L72-0531-05	NO	YES	NO	NO	2.4K	91K	00	1/6W	50	1/6W	A-911

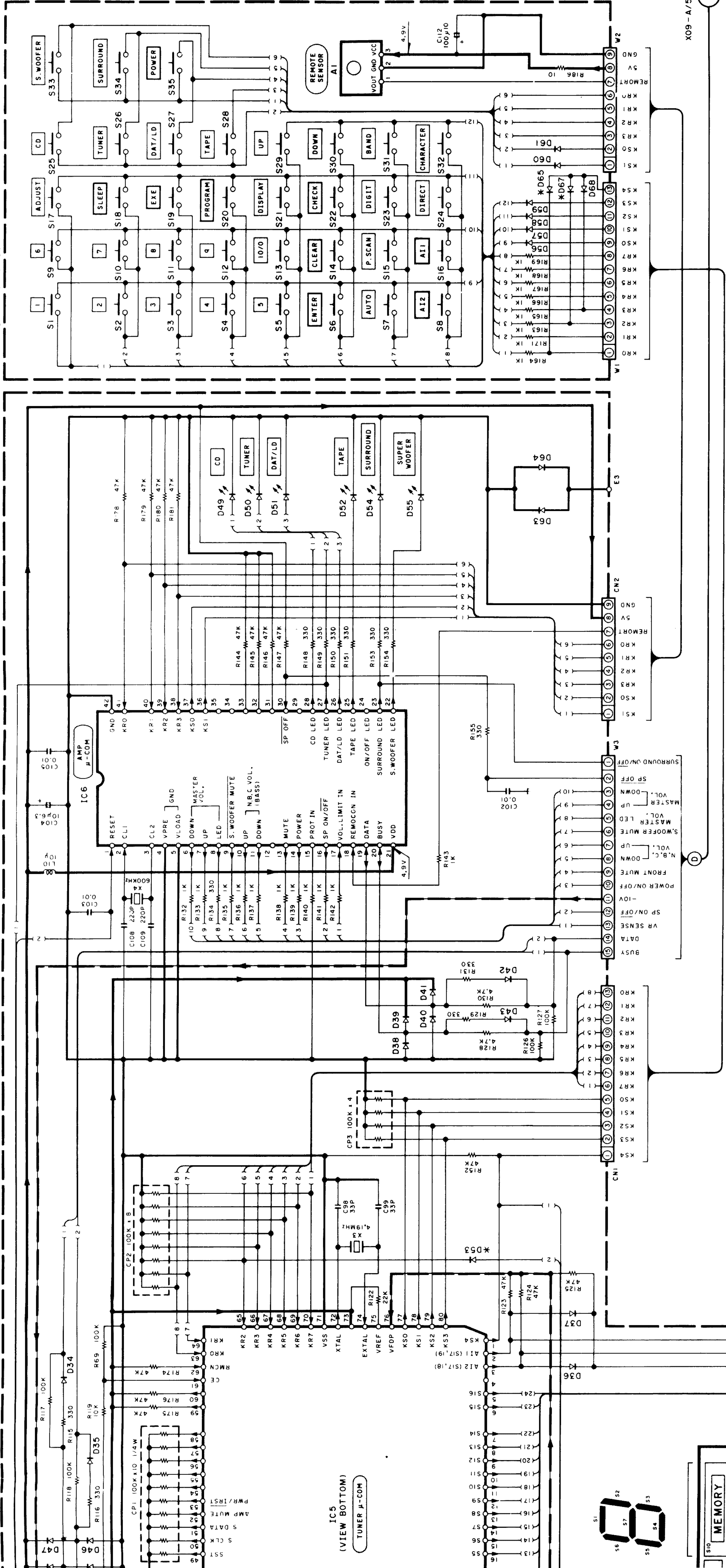


CAUTION: For continued safety, replace safety critical components only with manufacturer's recommended parts (refer to parts list). Indicates safety critical components. To reduce the risk of electric shock, leakage-current or resistance measurements shall be carried out (exposed parts are acceptably insulated from the supply circuit) before the appliance is returned to the customer.

DC voltages are as measured with a high-impedance voltmeter during reception of the FM broadcast signal (with a signal strength of 60 dB at the ANT terminal). Values may vary slightly due to variations between individual instruments or/and units. Values in parentheses are as measured during reception of the AM broadcast signal (with a signal strength of 60 dB at the ANT terminal).



(X05-399X-XX)(C/6)

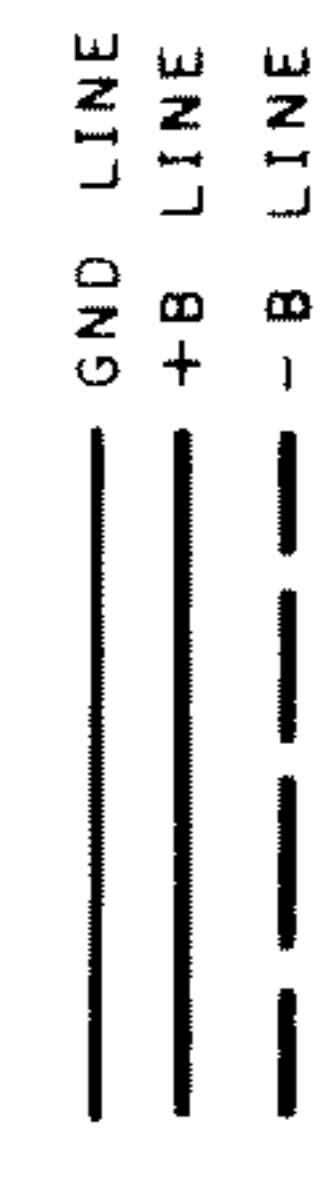
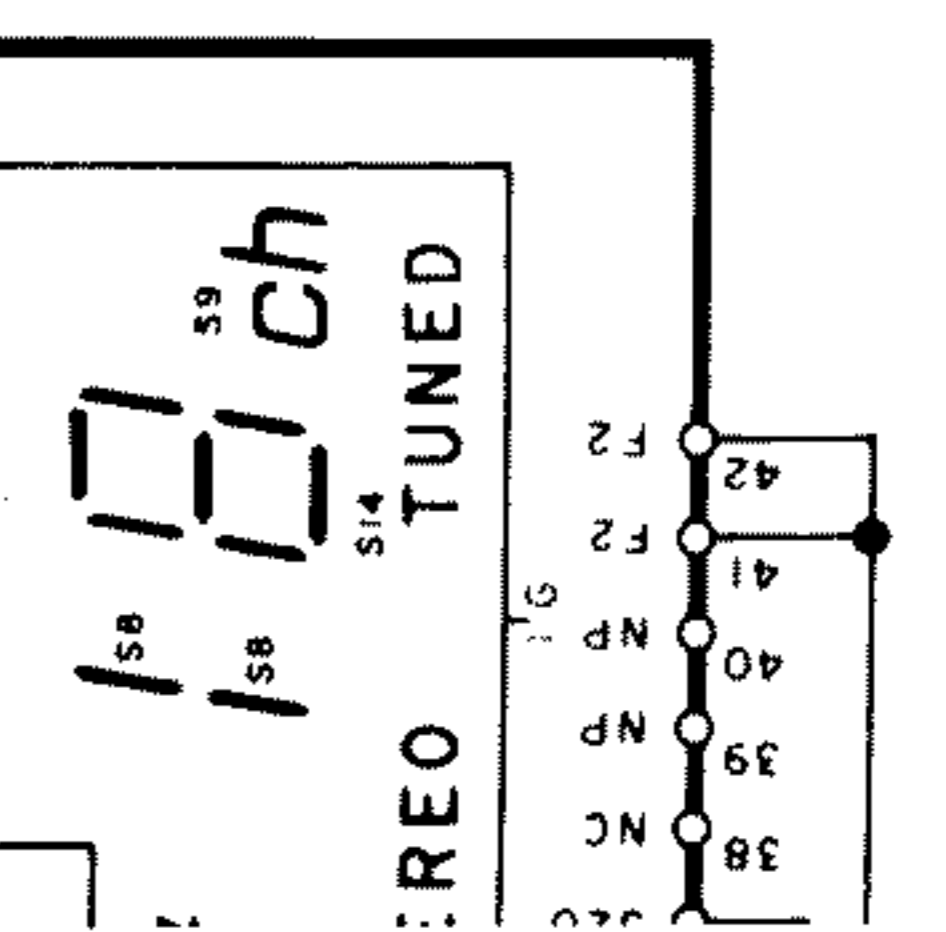


DESTINATION	COUNTRY	UNIT NAME	RIB2	RIB3	D53	D65	D67	Q17	MODEL NAME
ENGLAND	E	X05-3992-71	NO	NO	YES	YES	NO	NO	A-911L
AUSTRALIA	X	X05-3990-71	NO	NO	NO	NO	YES	NO	A-911
GENERAL MARKET	M	X05-3990-21	YES	YES	NO	NO	NO	NO	A-911
PX	Y	X05-3992-91	YES	YES	NO	NO	NO	YES	A-911

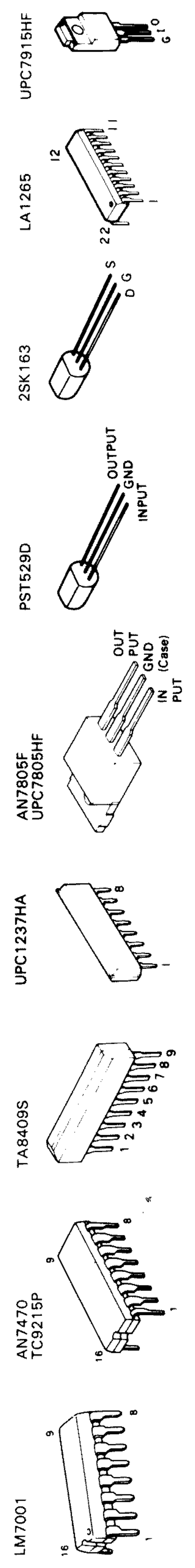
- IC5 : CXP50112-1270
- IC6 : μPD7588ACU-232
- IC7 : PST529D
- Q14~17 : 2SA733(A)(Q,P) or 2SA933S(Q,R)
- Q13 : 2SC945(A)(Q,P) or 2SC1740S(Q,R)
- D30 ~ 47, 53, 56 ~ 61, 63 ~ 65, 67 ~ 70 : ISS133 or HSS104
- D48 : RD10ES1(B) or HZS10N(B)
- D49 ~ 52, 54, 55 : B30-1012-05
- D62 : RD3.3ES(B2) or HZS3.3N(B2)
- A1 : W02-1049-05 or W02-1048-05
- F1 : B-BT-986K

DC voltages are as measured with a high impedance voltmeter. Values may vary slightly due to variations between individual instruments or/and units.

CAUTION: For continued safety, replace safety critical components only with manufacturer's recommended parts (refer to parts list). **⚠** Indicates safety critical components. To reduce the risk of electric shock, leakage-current or resistance measurements shall be carried out (exposed parts are acceptably insulated from the supply circuit) before the appliance is returned to the customer.

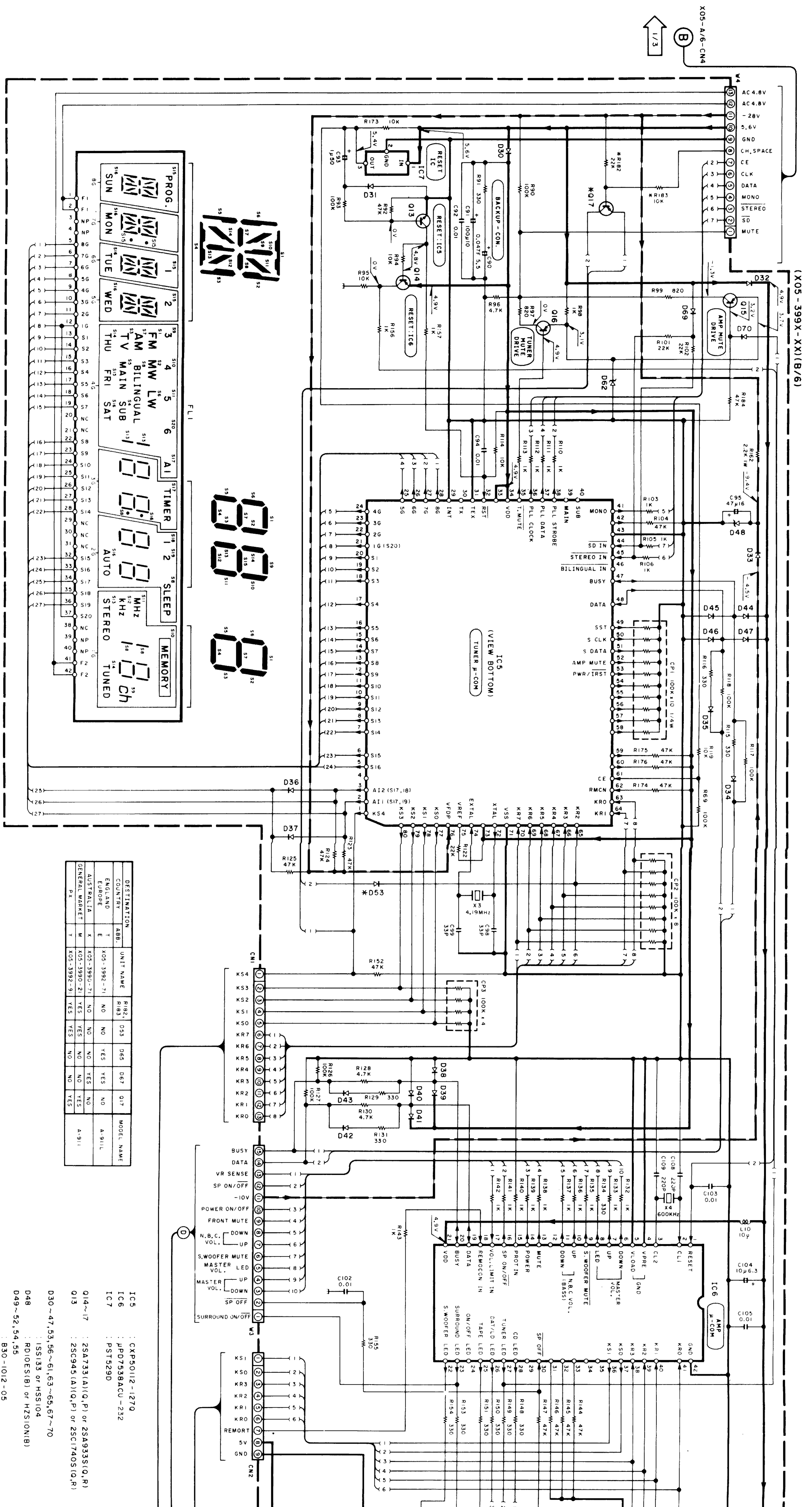


X09-A/5-CN8
 3/3



A-911/911L(E)(2/3)

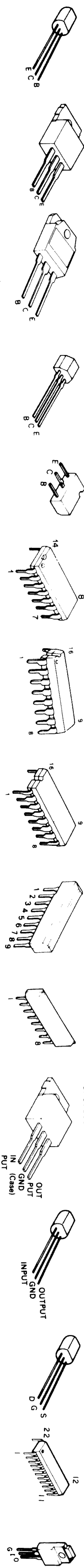
Y05-2522-70



DESTINATION	ABB.	UNIT NAME	R182	D53	D65	D67	O17	MODEL NAME
ENGLAND	T	XOS-3992-71	NO	NO	YES	YES	NO	A-911L
AUSTRALIA	X	XOS-3990-71	NO	NO	NO	NO	YES	
GENERAL MARKET	Y	XOS-3992-91	YES	YES	NO	NO	YES	A-911

- D30~47, 53, 56~61, 63~65, 67~70 : 25A733(A)(I)(Q,P) or 25A933S(Q,P)
- D48 : ISS133 or HSS104
- D49~52, 54, 55 : RD10ES(B) or HZ310N(B)
- D62 : B30-1012-05
- AI : W02-1049-05 or W02-1048-05
- FLI : B-BT-986K

- Z5A733(A)
- Z5A933S
- Z5C1845
- Z5C1823
- Z5C2631
- Z5C945(B)
- Z5C1302
- ZSD1266
- ZSB1493BT*5
- ZSD2258BT*5
- Z5A933S
- Z5C1740S
- Z5C3666
- NUM2058D
- LM7001
- AN7470
- TC9215P
- TAB409S
- UPC1237HA
- AN7805F
- UPC7805HF
- PST529D
- Z5K163
- LA1265
- UPC7915HF



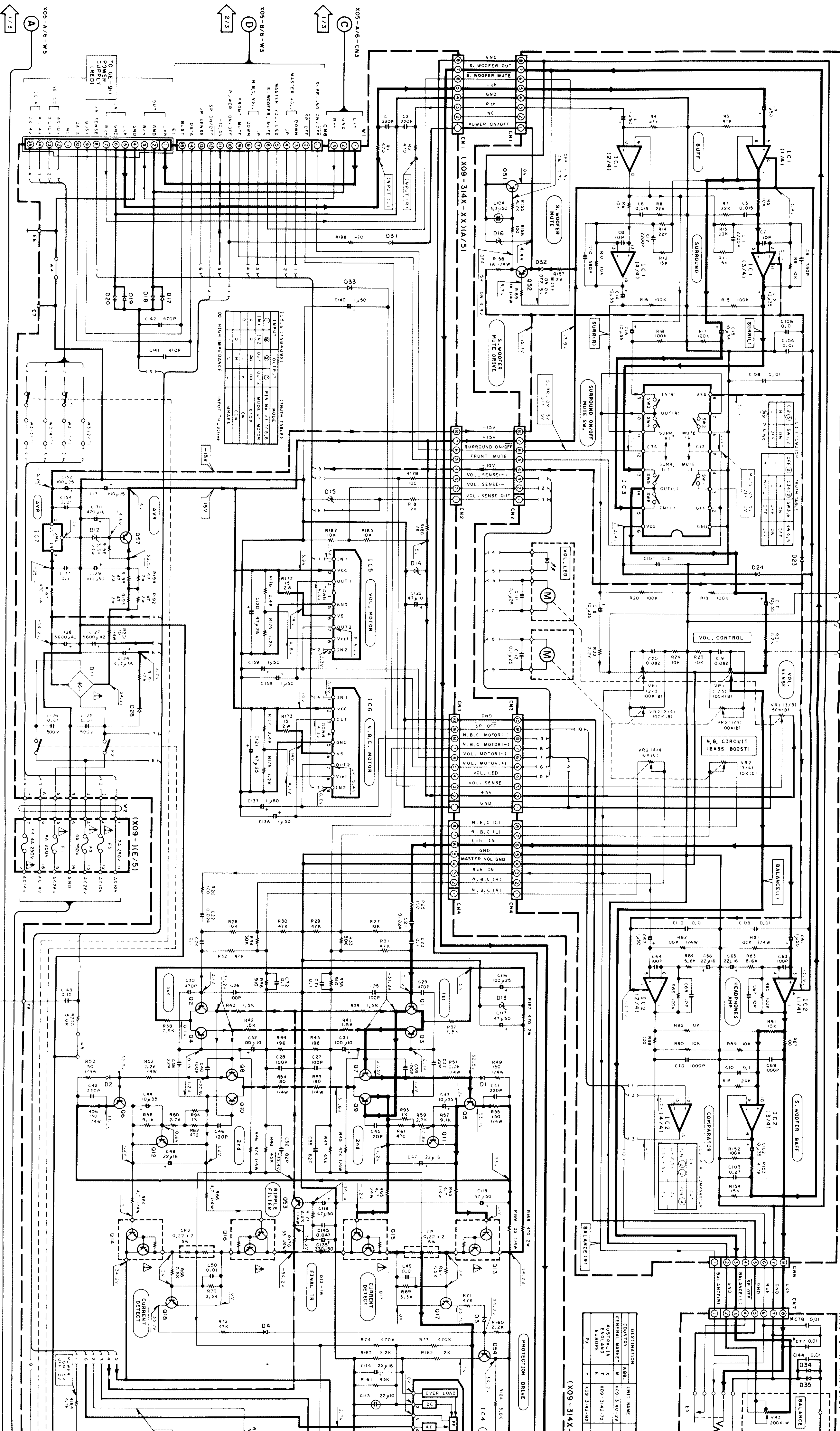
1
2
3
4
5
6
7

Q
P
Q
R
S
T
U
V
W
X

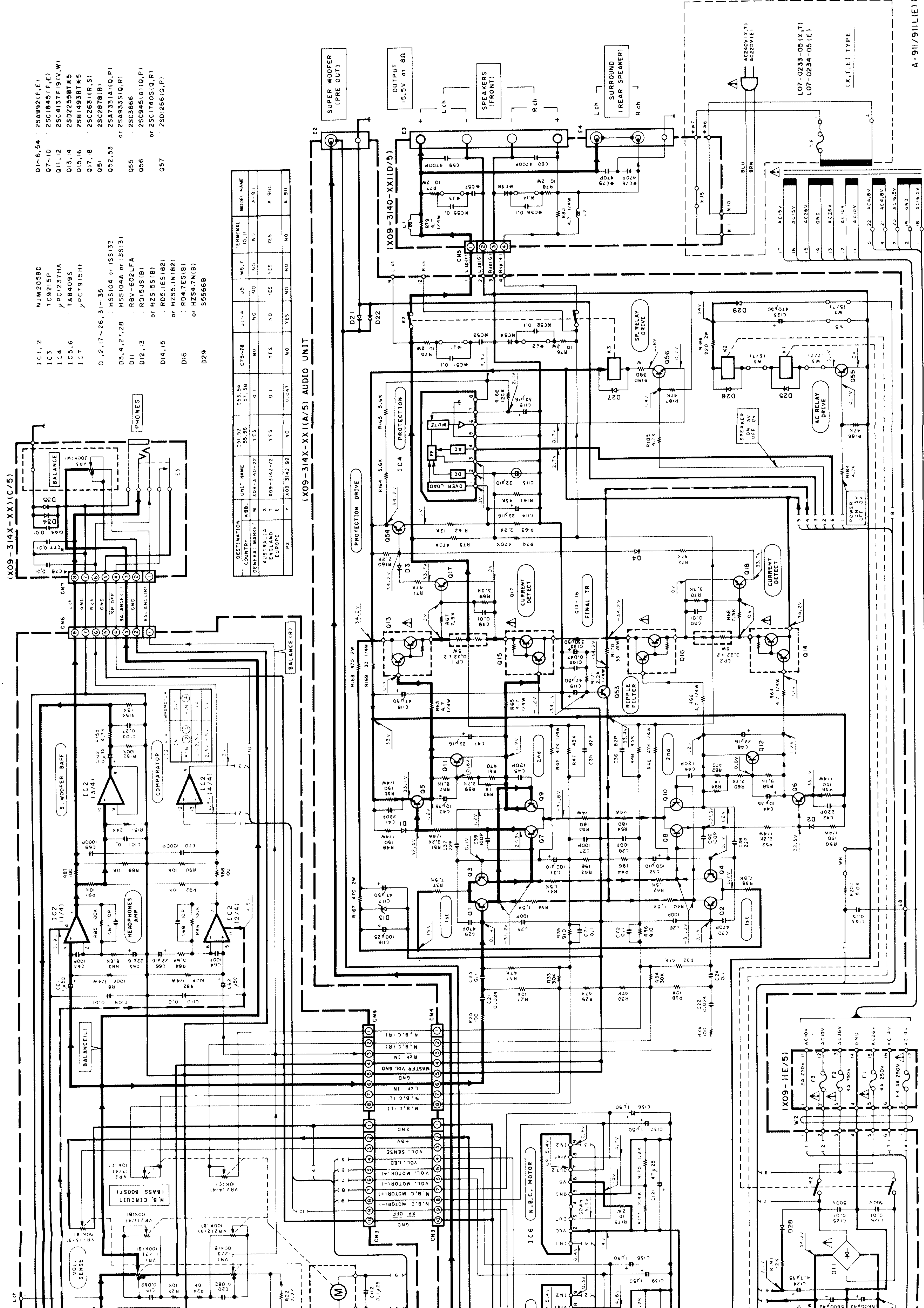
X09-314X-XX1(B/5)

TEST PIN

X09-314X-XX1(C/5)

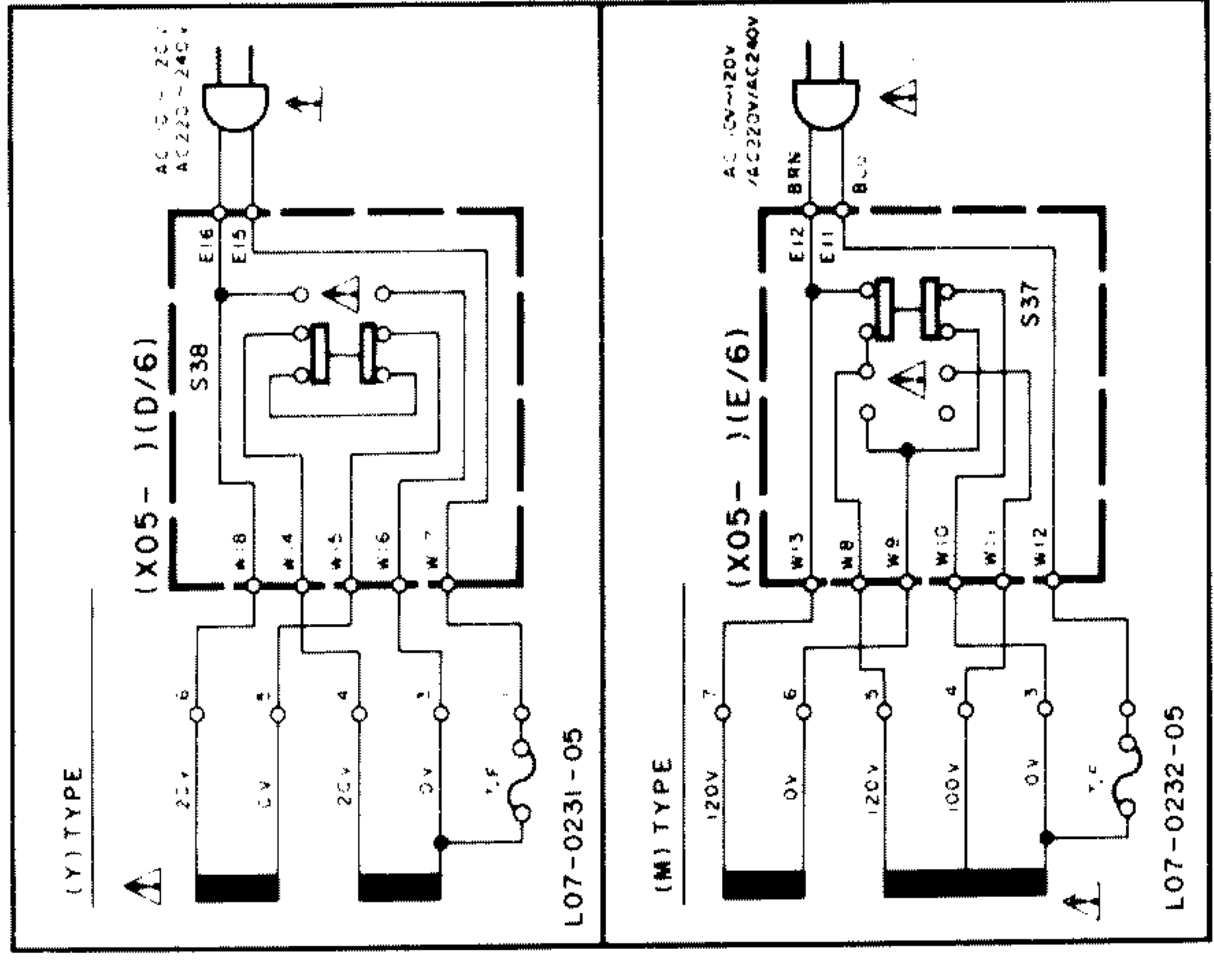


COMPONENT	VAL.	UNIT	NAME	QTY
GENERAL PARTS	100	RES	100K	100
AUSTRALIA	100	RES	100K	100
ENGLAND	100	RES	100K	100
EUROPE	100	RES	100K	100
USA	100	RES	100K	100

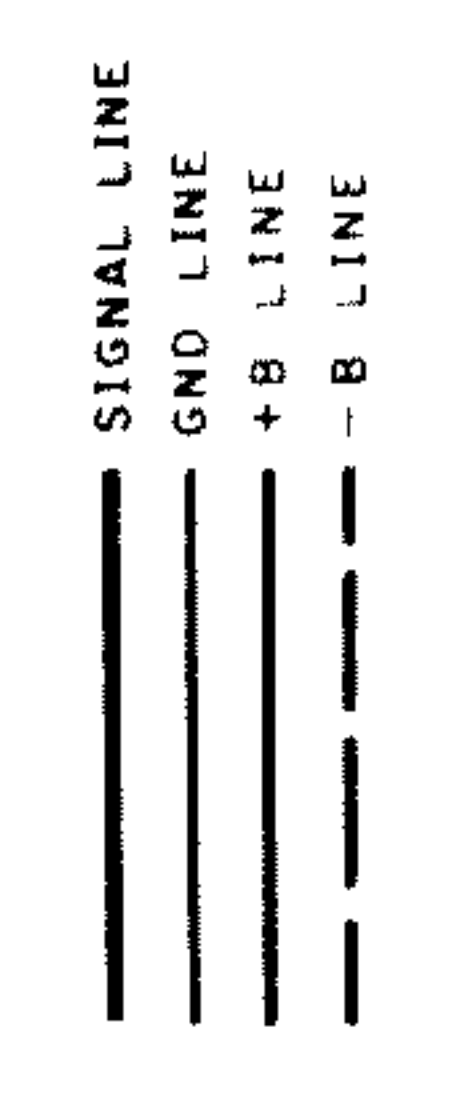


- 01~6,54 : 2S492(F,E)
- 07~10 : 2SC1845(F,E)
- 011,12 : 2SC4137(F,I,V,W)
- 013,14 : 2SD2558(T,K)
- 015,16 : 2SB14938(T,K)
- 017,18 : 2SC2631(R,S)
- 051 : 2SC2878(B)
- 052,53 : 2SA7331(A)(Q,P)
- 055 : 2SC3866
- 056 : 2SC9451(A)(Q,P)
- 057 : 2SD2661(Q,P)

DESTINATION	ABB.	UNIT NAME	CH. 52	CH. 54	CH. 57	TERMINAL	MODEL NAME
COUNTRY							
GENERAL MARKET	M	X09-3140-22	YES	0-1	NO	NO	A-911
AUSTRALIA	X	X09-3142-72	YES	0-1	YES	YES	A-911
ENGLAND	E	X09-3142-92	NO	0-2,47	NO	NO	A-911
EUROPE	T	X09-3142-92	NO	0-2,47	NO	NO	A-911



CAUTION: For continued safety, replace safety critical components only with manufacturer's recommended parts (refer to parts list). **⚠** Indicates safety critical components. To reduce the risk of electric shock, leakage-current or resistance measurements shall be carried out (exposed parts are acceptably insulated from the supply circuit) before the appliance is returned to the customer.



A-911/911L(E)(3/3)

DC voltages are as measured with a high impedance voltmeter with no signal input. Values may vary slightly due to variations between individual instruments or/and units.

PARTS LIST

* New Parts

Parts without Parts No. are not supplied.

Les articles non mentionnés dans le Parts No. ne sont pas fournis.

Teile ohne Parts No. werden nicht geliefert.

Ref. No. 参照番号	Address 位置	New Parts 新	Parts No. 部品番号	Description 部品名 / 規格	Desti- nation 仕向	Re- marks 備考
A-911						
601	1A		A01-1866-01	METALLIC CABINET	X	
601	1A	*	A01-1878-01	METALLIC CABINET	YM	
602	1B		A09-0088-08	BATTERY COVER		
604	2A	*	A60-0038-12	PANEL ASSY		
608	1B	*	A70-0519-05	REMOTE CONTROLLER ASSY		
613	3A		B10-1093-14	FRONT GLASS	Y	
-			B46-0094-03	WARRANTY CARD	Y	
-			B46-0095-03	WARRANTY CARD	Y	
-			B46-0096-23	WARRANTY CARD	X	
-			B58-0513-04	CAUTION CARD (PRESET220-240)	Y	
-			B60-0376-00	INSTRUCTION MANUAL(ENGLISH)	M	
-		*	B60-0380-00	INSTRUCTION MANUAL(CHINESE)	M	
-		*	B60-0381-00	INSTRUCTION MANUAL(SPANISH)	M	
615	1B		E03-0115-05	AC PLUG ADAPTER	M	
620	1D		E30-0459-05	AC POWER CORD	M	
620	1D		E30-1341-05	AC POWER CORD	M	
620	1D	*	E30-2634-05	AC POWER CORD	X	
628	3B		G11-2017-04	CUSHION	Y	
629	3D		G11-2050-14	CUSHION	Y	
-			H09-0106-04	INNER PACKAGE		
-		*	H10-5023-12	POLYSTYRENE FOAMED FIXTURE	M	
-		*	H10-5024-12	POLYSTYRENE FOAMED FIXTURE	M	
-		*	H13-0038-04	BLISTER SHEET	M	
-		*	H25-0397-04	PROTECTION BAG	X	
-			H25-0631-04	PROTECTION BAG		
-		*	H50-0030-04	ITEM CARTON CASE		
633	2B		J19-2815-04	ANTENNA HOLDER		
634	3C		J19-3300-05	UNIT HOLDER		
635	1C		J42-0083-05	POWER CORD BUSHING		
-			J11-0167-05	WIRE CLAMPER		
-			J61-0307-05	WIRE BAND		
644	3A		K29-3959-14	KNØB(N.B. CIRCUIT)		
645	3A		K29-3960-04	KNØB(BALANCE)		
647	3A		K29-3997-04	KNØB ASSY(VOLUME CONTROL)		
652	3C	*	L07-0231-05	POWER TRANSFORMER	Y	
652	3C	*	L07-0232-05	POWER TRANSFORMER	M	
652	3C	*	L07-0233-05	POWER TRANSFORMER	X	
A			N86-4006-45	BINDING HEAD TAPITITE SCREW		
B			N89-3008-46	BINDING HEAD TAPITITE SCREW		
C			N89-3008-45	BINDING HEAD TAPITITE SCREW		
D			N09-1445-05	SET SCREW (M3X8)		
E			N09-2804-05	TAPPING SCREW (2.6X6)		
655	1B		T90-0136-05	ANTENNA ADAPTOR	YM	
658	1B		T90-0176-05	T TYPE ANTENNA		
659	2B		T90-0173-05	LØØP ANTENNA		
A-911L						
601	1A		A01-1866-01	METALLIC CABINET		
602	1B		A09-0088-08	BATTERY COVER		
604	2A	*	A60-0062-12	PANEL ASSY		
608	1B	*	A70-0519-05	REMOTE CONTROLLER ASSY		

E: Scandinavia & Europe K: USA P: Canada W: Europe
 Y: PX(Far East, Hawaii) T: England M: Other Areas
 Y: AAFES(Europe) X: Australia

△ indicates safety critical components.

PARTS LIST

* New Parts

Parts without Parts No. are not supplied.

Les articles non mentionnés dans le Parts No. ne sont pas fournis.

Teile ohne Parts No. werden nicht geliefert.

Ref. No. 参照番号	Address 位置	New Parts 新	Parts No. 部品番号	Description 部品名 / 規格	Desti- nation 仕向	Re- marks 備考
613	3A		B10-1093-14	FRONT GLASS	E	
-			B46-0122-13	WARRANTY CARD	T	
-		*	B46-0143-13	WARRANTY CARD	T	
-		*	B58-0923-14	CAUTION CARD	T	
-		*	B60-0376-00	INSTRUCTION MANUAL(ENGLISH)	E	
-		*	B60-0377-00	INSTRUCTION MANUAL(FRENCH)	E	
-		*	B60-0378-00	INSTRUCTION MANUAL(DUTCH)	E	
-		*	B60-0379-00	INSTRUCTION MANUAL(ITALIAN)	E	
-		*	B60-0382-00	INSTRUCTION MANUAL(GERMAN)	E	
620	1D		E30-0459-05	AC POWER CORD	E	
620	1D		E30-1416-05	AC POWER CORD	T	
628	3B		G11-2017-04	CUSHION		
629	3D		G11-2050-14	CUSHION		
-		*	H09-0106-04	INNER PACKAGE		
-		*	H10-5023-12	POLYSTYRENE FOAMED FIXTURE		
-		*	H10-5024-12	POLYSTYRENE FOAMED FIXTURE		
-		*	H13-0038-04	BLISTER SHEET		
-		*	H25-0397-04	PROTECTION BAG		
-			H25-0631-04	PROTECTION BAG		
-		*	H50-0031-04	ITEM CARTON CASE		
633	2B		J19-2815-04	ANTENNA HOLDER		
634	3C		J19-3300-05	UNIT HOLDER		
635	1C		J42-0083-05	POWER CORD BUSHING		
-			J11-0167-05	WIRE CLAMPER		
-			J61-0307-05	WIRE BAND		
644	3A		K29-3959-14	KNØB(N.B. CIRCUIT)		
645	3A		K29-3960-04	KNØB(BALANCE)		
647	3A		K29-3997-04	KNØB ASSY(VOLUME CONTROL)		
652	3C	*	L07-0233-05	POWER TRANSFORMER	T	
652	3C	*	L07-0234-05	POWER TRANSFORMER	E	
A			N86-4006-45	BINDING HEAD TAPITITE SCREW		
B			N89-3008-46	BINDING HEAD TAPITITE SCREW		
C			N89-3008-45	BINDING HEAD TAPITITE SCREW		
D			N09-1445-05	SET SCREW (M3X8)		
E			N09-2804-05	TAPPING SCREW (2.6X6)		
655	1B		T90-0136-05	ANTENNA ADAPTOR		
658	1B		T90-0176-05	T TYPE ANTENNA		
659	2B		T90-0173-05	LØØP ANTENNA		
TUNER UNIT (X05-399X-XX, 0-21; M type, 0-71; X type, 2-71; T, E type, 2-91; Y type)						
D49	-52		B30-1012-05	LED(SLP-981C-50)		
D54	,55		B30-1012-05	LED(SLP-981C-50)		
C1			CE04KW1H010M	ELECTRØ	50WV	
C2			CE04KW1E101M	ELECTRØ	100UF	
C3			CF92FV1H273J	MF	0.027UF	J
C4			CE04KW1H010M	ELECTRØ	1.0UF	50WV
C5			CE04KW1E101M	ELECTRØ	100UF	25WV
C6	,7		C91-0769-05	CERAMIC	0.01UF	K
C8			CK45FF1H223Z	CERAMIC	0.022UF	Z
C9	,10		CK45FF1H223Z	CERAMIC	0.022UF	Z
C11			CK45FF1H223Z	CERAMIC	0.022UF	Z
C12			C91-0085-05	CERAMIC	0.022UF	N

E: Scandinavia & Europe K: USA P: Canada W: Europe
 Y: PX(Far East, Hawaii) T: England M: Other Areas
 Y: AAFES(Europe) X: Australia

△ indicates safety critical components.

PARTS LIST

* New Parts

Parts without Parts No. are not supplied.
Les articles non mentionnés dans le Parts No. ne sont pas fournis.
Teile ohne Parts No. werden nicht geliefert.

Ref. No. 参照番号	Address 位置	New Parts 新	Parts No. 部品番号	Description 部品名 / 規格	Desti- nation 仕	Re- marks 備考
C13 , 14			CK45FF1H223Z	CERAMIC		
C15			C91-0085-05	0.022UF Z	TE	
C16			CK45FF1H223Z	0.022UF N	TE	
C17			CE04KW1H2R2M	0.022UF Z		
C18			CE04KW1V4R7M	2.2UF 50WV		
			CE04KW1V4R7M	4.7UF 35WV		
C19			CK45FF1H223Z	0.022UF Z		
C20			CE04KW1H3R3M	3.3UF 50WV		
C21			CK45FF1H103Z	0.010UF Z		
C22			CK45FF1H223Z	0.022UF Z		
C23			CE04KW1V100M	10UF 35WV		
C24			CK45FF1H223Z	0.022UF Z		
C25			CF92FV1H153J	0.015UF J		
C26			C90-1332-05	10UF 25WV		
C27			CE04KW1HR47M	0.47UF 50WV		
C28 -30			CK45FF1H103Z	0.010UF Z		
C31			CC45FSL1H101J	100PF J		
C32			CK45FF1H103Z	0.010UF Z		
C33			CE04KW1C470M	47UF 16WV		
C34			CK45FB1H471K	470PF K	TE	
C35			CC45FSL1H121J	120PF J	TE	
C36			CC45FSL1H271J	270PF J	TE	
C37			CF92FV1H152J	1500PF J	TE	
C38			CF92FV1H132J	1300PF J	TE	
C39			CC93FCH1H471J	470PF J	TE	
C40			CE04KW1H2R2M	2.2UF 50WV		
C41			CE04KW1H3R3M	3.3UF 50WV		
C42			CE04KW1HR47M	0.47UF 50WV		
C43			CF92FV1H473J	0.047UF J		
C44			CK45FB1H471K	470PF K		
C45			CK45FF1H103Z	0.010UF Z		
C46 , 47			CC45FSL1H221J	220PF J		
C48			CE04KW1C101M	100UF 16WV		
C49			CC45FSL1H680J	68PF J		
C50 , 51			CE04KW1H3R3M	3.3UF 50WV	TE	
C52 , 53			CF92FV1H752J	7500PF J	YM	
C54 , 55			CF92FV1H153J	0.015UF J		
C56 , 57			CK45FF1H103Z	0.010UF Z		
C58 , 59			CC45FCH1H220J	22PF J		
C60 -62			CC45FSL1H101J	100PF J		
C63 -65			CK45FF1H103Z	0.010UF Z		
C66			CE04KW1V4R7M	4.7UF 35WV	TE	
C70			CF92FV1H104J	0.10UF J		
C71			CE04KW1E332M	3300UF 25WV		
C74 , 75			CK45FF1H103Z	0.010UF Z		
C76			CF92FV1H104J	0.10UF J		
C77 , 78			CE04KW1E470M	47UF 25WV		
C79			CF92FV1H104J	0.10UF J		
C80			CE04KW1A470M	47UF 10WV		
C81			CF92FV1H104J	0.10UF J		
C82			CE04KW1E101M	100UF 25WV		
C83 , 84			CK45FF1H103Z	0.010UF Z		
C85			CE04KW1H101M	100UF 50WV		
C86			CE04KW1H010M	1.0UF 50WV		
C90			C90-1827-05	0.047F 5.5WV		
C91			CE04JW1A101M	100UF 10WV		

E: Scandinavia & Europe K: USA P: Canada W: Europe

Y: PX(Far East, Hawaii) T: England M: Other Areas

Y: AA(FES)(Europe) X: Australia

△ indicates safety critical components.

PARTS LIST

* New Parts

Parts without Parts No. are not supplied.
Les articles non mentionnés dans le Parts No. ne sont pas fournis.
Teile ohne Parts No. werden nicht geliefert.

Ref. No. 参照番号	Address 位置	New Parts 新	Parts No. 部品番号	Description 部品名 / 規格	Desti- nation 仕	Re- marks 備考
C92			C91-0769-05	CERAMIC		
C93			CE04KW1H010M	0.01UF K		
C94			C91-0769-05	ELECTRØ	50WV	
C95			CE04KW1C470M	0.01UF K		
C98 , 99			CC45FCH1H330J	47UF 16WV		
			CC45FCH1H330J	33PF J		
C102			CK45FF1H103Z	0.010UF Z		
C103			C91-0769-05	0.01UF K		
C104			CE04JW0J100M	10UF 6.3WV		
C105			C91-0769-05	0.01UF K		
C108 , 109			C91-0749-05	220PF K		
C112			CE04JW1A101M	100UF 10WV		
C204			CE04KW1V220M	22UF 35WV		
C205			CE92FV1H102J	MF 1000PF J		
C206			CE04KW1V100M	10UF 35WV		
C207			CE04KW1H010M	1.0UF 50WV		
E1	1C		E20-0321-05	LØCK TERMINAL BØARD(ANTENNA)	YMTE	
E1	1C		E20-0476-05	LØCK TERMINAL BØARD(ANTENNA)	X	
E5 -9			J11-0098-05	WIRE CLAMPER		
CF1 , 2			L72-0531-05	CERAMIC FILTER	YMX	
CF1 , 2			L72-0536-05	CERAMIC FILTER	TE	
CF3			L72-0096-05	CERAMIC FILTER		
L1			L40-1091-17	SMALL FIXED INDUCTØR(1uH)	TE	
L2			L39-0192-05	CØMBINATION CØIL		
L3			L39-0195-05	CØMBINATION CØIL	TE	
L4			L30-0488-05	AM IFT		
L5			L40-1021-14	SMALL FIXED INDUCTØR(1.0mH,K)		
L6			L30-0439-25	FM IFT		
L7			L40-5625-29	SMALL FIXED INDUCTØR(5.6mH,J)	TE	
L8			L40-6825-29	SMALL FIXED INDUCTØR(6.8mH,J)	TE	
L9			L40-1091-17	SMALL FIXED INDUCTØR(1uH)	TE	
L10			L40-1001-17	SMALL FIXED INDUCTØR(10uH,K)	YMX	
X1			L77-1122-05	CRYSTAL RESØNATOR (7.2MHz)		
X3			L77-1175-05	CRYSTAL RESØNATOR (4.19MHz)		
X4			L78-0239-05	RESØNATOR (600kHz)		
C			N30-3006-46	PAN HEAD MACHIN SCREW		
F			N89-3008-45	BINDING HEAD TAPITTE SCREW		
CP1			R90-0802-05	MULTI-CØMP 100KX10 J 1/4W		
CP2			R90-0492-05	MULTI-CØMP 100KX8 J 1/6W		
CP3			R90-0482-05	MULTI-CØMP 100KX4 J 1/6W		
R6			RD14AB2E101J	FL-PRØØF RD 100 J 1/4W	TE	
R10			RD14AB2E101J	FL-PRØØF RD 100 J 1/4W	TE	
R16			RD14AB2E101J	FL-PRØØF RD 100 J 1/4W	TE	
R21			RD14AB2E101J	FL-PRØØF RD 100 J 1/4W	TE	
R36			RD14AB2E101J	FL-PRØØF RD 100 J 1/4W	TE	
R51			RD14AB2E151J	FL-PRØØF RD 150 J 1/4W	TE	
R83 -86			RS14DB3D181J	FL-PRØØF RS 180 J 2W		
R87			RS14DB3A271J	FL-PRØØF RS 270 J 1W		
R162			RS14DB3A222J	FL-PRØØF RS 2.2K J 1W		
VR1			R12-3128-05	TRIMMING PØT.(22K,TUNE LEVEL)		
VR2			R12-1089-05	TRIMMING PØT.(4.7K,VCO)		
VR3			R12-5060-05	TRIMMING PØT.(220K,SEPARATION)		
S1 -35	3B, 3C		S40-1064-05	PUSH SWITCH	TE	

E: Scandinavia & Europe K: USA P: Canada W: Europe

Y: PX(Far East, Hawaii) T: England M: Other Areas

Y: AA(FES)(Europe) X: Australia

△ indicates safety critical components.

PARTS LIST

* New Parts
 Parts without Parts No. are not supplied.
 Les articles non mentionnés dans le Parts No. ne sont pas fournis.
 Teile ohne Parts No. werden nicht geliefert.

Ref. No. 参照番号	Address 位置	New Parts	Parts No. 部品番号	Description 部品名/规格	Desti- nation 向	Re- marks 備考
C59 , 60			CK45FF1H4722Z	CERAMIC 4700PF	Z	
C61 , 62			CE04KW1H010M	ELECTR0 1.0UF	50WV	
C63 , 64			CC45FSL1H101J	CERAMIC 100PF	J	
C65 , 66			CE04KW1C220M	ELECTR0 22UF	16WV	
C67 , 68			CC45FSL1H100D	CERAMIC 10PF	D	
C69 , 70			CK45FB1H102K	CERAMIC 1000PF	K	
C71 , 72			CF92EV1H104J	ME 0.10UF	J	XTE
C75 , 76			CK45FB1H471K	CERAMIC 470PF	K	XTE
C77 , 78			CF92EV1H103J	ME 0.010UF	J	
C101			CF92EV1H104J	ME 0.10UF	J	
C102			CE04KW1V100M	ELECTR0 10UF	35WV	
C103			CF92EV1H274J	ME 0.27UF	J	
C104			C90-1351-05	NP-ELEC 3.3UF	50WV	
C105-110			CF92EV1H103J	ME 0.010UF	J	
C111, 112			C91-0700-05	CERAMIC 0.1UF	J	
C113			C90-1333-05	NP-ELEC 22UF	10WV	
C114			CE04KW1C220M	ELECTR0 22UF	16WV	
C115			CE04KW1C30M	ELECTR0 33UF	16WV	
C116			CE04KW1E101M	ELECTR0 100UF	25WV	
C117-119			CE04KW1H470M	ELECTR0 47UF	50WV	
C120, 121			CE04KW1E470M	ELECTR0 47UF	25WV	
C122			CE04KW1A470M	ELECTR0 47UF	10WV	
C123			CE04KW1H471M	ELECTR0 470UF	50WV	
C124			CE04KW1V4R7M	ELECTR0 4.7UF	35WV	
C125, 126			CK45FE2H103P	CERAMIC 0.010UF	P	
C127, 128		*	C90-1830-15	ELECTR0 5600UF	42WV	
C129			CE04KW1H101M	ELECTR0 100UF	50WV	
C130			CE04DW1C471M	ELECTR0 470UF	16WV	
C131, 132			CE04KW1E101M	ELECTR0 100UF	25WV	
C133			CF92EV1H104J	ME 0.10UF	J	
C134			CF92EV1H103J	ME 0.010UF	J	
C135			CE04KW1H331M	ELECTR0 330UF	50WV	
C136-140			CE04KW1H010M	ELECTR0 1.0UF	50WV	
C141, 142			CK45FB1H471K	CERAMIC 470PF	K	
C143			CF92EV1H154J	ME 0.15UF	J	
C144			CK45FF1H103Z	CERAMIC 0.010UF	Z	
C145			CF92EV1H473J	ME 0.047UF	J	
E1	2C		E08-1508-05	RECTANGULAR RECEPTACLE(T0 GE.)		
E2	2C		E13-0138-05	PHONO JACK (S.WOOFER)		
E3	1C	*	E20-1404-05	LOCK TERMINAL BOARD(SPEAKERS)		
E4	1C		E13-0249-05	PHONO JACK SURROUND)		
E5	2D		E11-0200-05	MINIATURE PHONE JACK(PHONES)		
F1			F53-0022-05	FUSE (250V 4A)		
F3			F53-0019-05	FUSE (250V 2A)		
F4			F53-0022-05	FUSE (250V 4A)		
L1			L39-0085-05	PHASE-COMPENSATION COIL		
C			N89-3008-45	BINDING HEAD TAPITTE SCREW		
G			N09-0333-05	TAPPING SCREW (3X12)		
H			N35-3008-46	BINDING HEAD MACHIN SCREW		
CP1 , 2			R90-0187-05	MULTI-COMP 0.22X2	K 5W	
R43 , 44			RN14BK2C1960F	RN 196.0	F 1/6W	
R49 , 50			RD14AB2E1S1JTS	FL-PROOF RD 150	J 1/4W	
R51 , 52			RD14AB2E222JTS	FL-PROOF RD 2.2K	J 1/4W	

E: Scandinavia & Europe K: USA P: Canada W: Europe
 Y: PK(Far East, Hawaii) T: England M: Other Areas
 V: AAFES(Europe) X: Australia
 A indicates safety critical components.

PARTS LIST

* New Parts
 Parts without Parts No. are not supplied.
 Les articles non mentionnés dans le Parts No. ne sont pas fournis.
 Teile ohne Parts No. werden nicht geliefert.

Ref. No. 参照番号	Address 位置	New Parts	Parts No. 部品番号	Description 部品名/规格	Desti- nation 向	Re- marks 備考
R53 , 54			RD14AB2E181JTS	FL-PROOF RD 180	J 1/4W	
R55 , 56			RD14AB2E151JTS	FL-PROOF RD 150	J 1/4W	
R63 -66			RD14AB2E4R7JTS	FL-PROOF RD 4.7	J 1/4W	
R75 -78			RS14DB3D100JTE	FL-PROOF RS 10	J 2W	
R79 , 80			RD14AB2E4R7JTS	FL-PROOF RD 4.7	J 1/4W	
R167, 168			RS14DB3D471JTE	FL-PROOF RS 470	J 2W	
R169, 170			RD14AB2E330JTS	FL-PROOF RD 33	J 1/4W	
R171			RD14AB2E222JTS	FL-PROOF RD 2.2K	J 1/4W	
R172, 173			RS14DB3D150J	FL-PROOF RS 15	J 2W	
R188			RS14DB3D221J	FL-PROOF RS 220	J 2W	
R190			RS14DB3A391J	FL-PROOF RS 390	J 1W	
R192-195			RS14DB3D470JTE	FL-PROOF RS 47	J 2W	
R196			RD14AB2E362JTS	FL-PROOF RD 3.6K	J 1/4W	
R197			RS14DB3A471JTE	FL-PROOF RS 470	J 1W	
R201			R92-0513-05	FUSE RESIST 10	G 1/4W	
VR1	2C		R29-5042-05	POTENTIOMETER(VOLUME CONTROL)		
VR2	2C		R29-5043-05	POTENTIOMETER(N.B. CIRCUIT)		
VR3	2D		R05-3015-05	POTENTIOMETER(BALANCE)		
K1 , 2		*	S51-2094-05	MAGNETIC RELAY		
K3			S51-2092-05	MAGNETIC RELAY		
D1 , 2			HSS104	DIODE		
D1 , 2			1SS133	DIODE		
D3 , 4			HSS104A	DIODE		
D3 , 4			1SS131	DIODE		
D11			RBV-602LFA	DIODE		
D12 , 13			HZS15S(B)	ZENER DIODE		
D12 , 13			RD15JS(B)	ZENER DIODE		
D14 , 15			HZS5.1N(B2)	ZENER DIODE		
D14 , 15			RD5.1ES(B2)	ZENER DIODE		
D16			HZS4.7N(B)	ZENER DIODE		
D16			RD4.7ES(B)	ZENER DIODE		
D17 -26			HSS104	DIODE		
D17 -26			1SS133	DIODE		
D27 , 28			HSS104A	DIODE		
D27 , 28			1SS131	DIODE		
D29			S5566B	DIODE		
D31 -35			HSS104	DIODE		
D31 -35			1SS133	DIODE		
IC1 , 2			NJM2058D	IC(OP AMP X4)		
IC3			TC9215P	IC(ANALOG SWITCH X 6)		
IC4			UPC1237HA	IC(POWER AMP)		
IC5 , 6			TA8409S	IC(MOTOR CONTROL)		
IC7			UPC7915HF	IC(VOLTAGE REGULATOR/ -15V)		
Q1	-6		2SA992(F,E)	TRANSISTOR		
Q7	-10		2SC1845(F,E)	TRANSISTOR		
Q11 , 12			2SC4137F19(V,W)	TRANSISTOR		
Q13 , 14			2SD2255BT*5	TRANSISTOR		
Q15 , 16			2SB1493BT*5	TRANSISTOR		
Q17 , 18			2SC2631(R,S)	TRANSISTOR		
Q51			2SC2878(B)	TRANSISTOR		
Q52 , 53			2SA733(A)(Q,P)	TRANSISTOR		
Q52 , 53			2SA933S(Q,R)	TRANSISTOR		
Q54			2SA992(F,E)	TRANSISTOR		
Q55			2SC3666	TRANSISTOR		

E: Scandinavia & Europe K: USA P: Canada W: Europe
 Y: PK(Far East, Hawaii) T: England M: Other Areas
 V: AAFES(Europe) X: Australia
 A indicates safety critical components.

PARTS LIST

* New Parts
Parts without Parts No. are not supplied.
Les articles non mentionnés dans le Parts No. ne sont pas fournis.
Teile ohne Parts No. werden nicht geliefert.

Ref. No. 参照番号	Address 位置	New Parts 新	Parts No. 部品番号	Description 部品名/規格	Desti- nation 向	Re- marks 備考
S36			S31-2094-05	SLIDE SWITCH (DE-EM., CH. SPACE)	YM	
A S37			S31-2082-05	SLIDE SWITCH (AC120-220-240V)	M	
A S38			S31-2128-05	SLIDE SWITCH (AC120-240V)	Y	
D1 ,2			HSS104	DIODE	TE	
D1 ,2			1SS133	DIODE	TE	
D3 -8			HSS104	DIODE	TE	
D3 -8			1SS133	DIODE	TE	
D9			HSS104	DIODE	TE	
D9			1SS133	DIODE	TE	
D11 ,12			HSS104	DIODE	TE	
D11 ,12			1SS133	DIODE	TE	
D18 ,19			HSS104	DIODE	TE	
D18 ,19			1SS133	DIODE	TE	
D21 ,22			S5566B	DIODE	TE	
D23			HSS104	DIODE	TE	
D23			1SS133	DIODE	TE	
D25			HZ55.1N(B2)	ZENER DIODE	YM	
D25			R05.1ES(B2)	ZENER DIODE	YM	
D30 -47			HSS104	DIODE	YM	
D30 -47			1SS133	DIODE	YM	
D48			HZ510N(B)	ZENER DIODE	YM	
D48			RD10ES(B)	ZENER DIODE	YM	
D53			HSS104	DIODE	YM	
D53			1SS133	DIODE	YM	
D56 -61			HSS104	DIODE	YM	
D56 -61			1SS133	DIODE	YM	
D62			HZ53.3N(B2)	ZENER DIODE	YM	
D62			RD3.3ES(B2)	ZENER DIODE	YM	
D63 ,64			HSS104	DIODE	YM	
D63 ,64			1SS133	DIODE	YM	
D65			HSS104	DIODE	TE	
D65			1SS133	DIODE	TE	
D67			HSS104	DIODE	XTE	
D67			1SS133	DIODE	XTE	
D68 -70			HSS104	DIODE	TE	
D68 -70			1SS133	DIODE	TE	
D202			HZ55.1S(B2)	ZENER DIODE	TE	
D202			R05.1JS(B2)	ZENER DIODE	TE	
FL1			8-BT-98GK	FLUORESCENT INDICATOR TUBE	TE	
IC1			LA1265	IC(FM/AM TUNER)	TE	
IC2			AN7470	IC(FM MPX)	TE	
IC3			LH7001	IC(PLL FREQUENCY SYNTHESIZER)	TE	
IC5			CXP50112-127Q	IC(TUNER MICROPROCESSOR)	TE	
IC6			UPD7538ACU-232	IC(AMP. MICROPROCESSOR)	TE	
IC7			PST529D	IC(RESET)	TE	
IC9 ,10			AN7805F	IC(VOLTAGE REGULATOR/ +5V)	TE	
IC9 ,10			UPC7805HF	IC(VOLTAGE REGULATOR/ +5V)	TE	
Q1			2SC1923(R,Ø)	TRANSISTOR	TE	
Q2			2SK163(L,M)	FET	TE	
Q3			2SC1740S(Q,R)	TRANSISTOR	TE	
Q3			2SC945(A)(Q,P)	TRANSISTOR	TE	
Q4			2SC1845(F,E)	TRANSISTOR	TE	
Q5			2SC1740S(Q,R)	TRANSISTOR	TE	
Q5			2SC945(A)(Q,P)	TRANSISTOR	TE	
Q8			2SA733(A)(Q,P)	TRANSISTOR	TE	

E: Scandinavia & Europe K: USA P: Canada W: Europe
Y: PX(Far East, Hawaii) T: England M: Other Areas
V: AAFES(Europe) X: Australia

△ Indicates safety critical components.

PARTS LIST

* New Parts
Parts without Parts No. are not supplied.
Les articles non mentionnés dans le Parts No. ne sont pas fournis.
Teile ohne Parts No. werden nicht geliefert.

Ref. No. 参照番号	Address 位置	New Parts 新	Parts No. 部品番号	Description 部品名/規格	Desti- nation 向	Re- marks 備考
Q8			2SA933S(Q,R)	TRANSISTOR	TE	
Q9			2SA733(A)(Q,P)	TRANSISTOR	TE	
Q9			2SA933S(Q,R)	TRANSISTOR	TE	
Q10			2SA733(A)(Q,P)	TRANSISTOR	TE	
Q10			2SA933S(Q,R)	TRANSISTOR	TE	
Q11 ,12			2SC1740S(Q,R)	TRANSISTOR	YM	
Q11 ,12			2SC945(A)(Q,P)	TRANSISTOR	YM	
Q13			2SC1740S(Q,R)	TRANSISTOR	YM	
Q13			2SC945(A)(Q,P)	TRANSISTOR	YM	
Q14			2SA733(A)(Q,P)	TRANSISTOR	TE	
Q14			2SA933S(Q,R)	TRANSISTOR	TE	
Q15			2SA733(A)(Q,P)	TRANSISTOR	TE	
Q15			2SA933S(Q,R)	TRANSISTOR	TE	
Q16			2SA733(A)(Q,P)	TRANSISTOR	TE	
Q16			2SA933S(Q,R)	TRANSISTOR	TE	
Q17			2SA733(A)(Q,P)	TRANSISTOR	YM	
Q17			2SA933S(Q,R)	TRANSISTOR	YM	
Q18 ,19			2SD1302(S,T)	TRANSISTOR	YM	
Q20			2SC1740S(Q,R)	TRANSISTOR	TE	
Q20			2SC945(A)(Q,P)	TRANSISTOR	TE	
Q21			2SD1266(Q,P)	TRANSISTOR	TE	
Q22 ,23			2SC1740S(Q,R)	TRANSISTOR	TE	
Q22 ,23			2SC945(A)(Q,P)	TRANSISTOR	TE	
A1			W02-1049-05	ELECTRIC CIRCUIT MODULE	TE	
DT1			W02-1041-05	FM FRONT-END ASSY	TE	
DT1			W02-1042-05	FM FRONT-END ASSY	YMX	
AUDIO UNIT (X09-314X-XX, 0-22; M type, 2-72; X, T, E, type 2-92; Y type)						
C1 ,2			CC45FSL1H221J	CERAMIC	J	
C3 ,4			CE04KW1H010M	ELECTRO	50WV	
C5 ,6			CF92FV1H153J	ME	0.015UF	
C7 ,8			CC45FSL1H100D	CERAMIC	D	
C9 ,10			CK45FB1H391K	CERAMIC	K	
C11 ,12			CK45FB1H222K	CERAMIC	K	
C13 -18			CE04KW1V100M	ELECTRO	35WV	
C19 ,20			CF92FV1H823J	ME	0.082UF	
C21 ,22			CF92FV1H243J	ME	0.024UF	
C23 ,24			CF92FV1H104J	ME	0.10UF	
C25 -28			CC45FSL1H101J	CERAMIC	J	
C29 ,30			CK45FB1H471K	CERAMIC	K	
C31 ,32			CE04KW1A101M	ELECTRO	10WV	
C35 ,36			CC45FSL1H820J	CERAMIC	J	
C37 ,38			CC45FSL1H220J	CERAMIC	J	
C39 ,40			CC45FSL1H101J	CERAMIC	J	
C41 ,42			CC45FSL1H221J	CERAMIC	J	
C43 ,44			CE04KW1V100M	ELECTRO	35WV	
C45 ,46			CC45FSL1H121J	CERAMIC	J	
C47 ,48			CE04KW1C220M	ELECTRO	16WV	
C49 ,50			CK45FF1H103Z	CERAMIC	Z	
C51 ,52			CF92FV1H104J	ME	0.10UF	
C53 ,54			CF92FV1H104J	ME	0.10UF	
C53 ,54			CF92FV1H473J	ME	0.047UF	
C55 ,56			CF92FV1H104J	ME	0.10UF	
C57 ,58			CF92FV1H104J	ME	0.10UF	
C57 ,58			CF92FV1H473J	ME	0.047UF	

E: Scandinavia & Europe K: USA P: Canada W: Europe
Y: PX(Far East, Hawaii) T: England M: Other Areas
V: AAFES(Europe) X: Australia

△ Indicates safety critical components.